
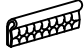











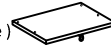
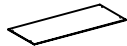
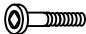
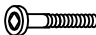
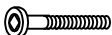







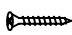





ECOLIFE

MODEL : CF 8890-C 5' - SIDONIA QUEEN BED

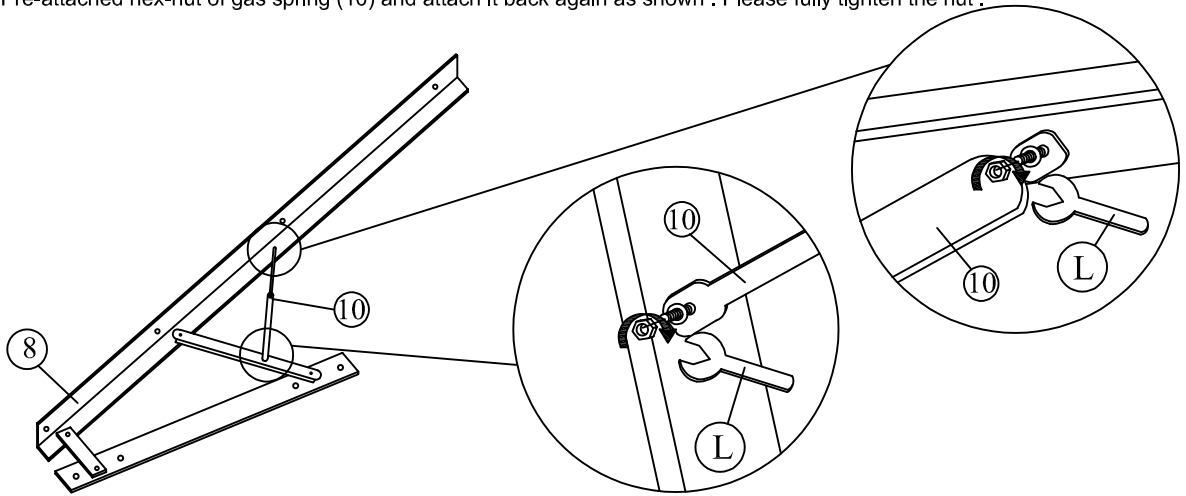
Parts List		
Parts	Description	Qty
1	Headend 	1
2	Footend 	1
3	Side Rail 	2
4	Legs Round Leg 85x110(H) 	4
5	Metal Centre Rail 1540mm 	1
6	Wooden Centre Rail 2040mm 	1
7	Support Leg 130mm 	3

Parts	Description	Qty
8	Pump Mounting Bracket 	2
9	Bracket Base 	2
10	Gas Spring 	2
11	Wooden Frame Bracket 	2
12	Bed Stopper 	2
13	Wooden Frame (holes are not the same) 	1
14	Wooden Frame (holes are not the same) 	1
15	Bottom Panel 	4

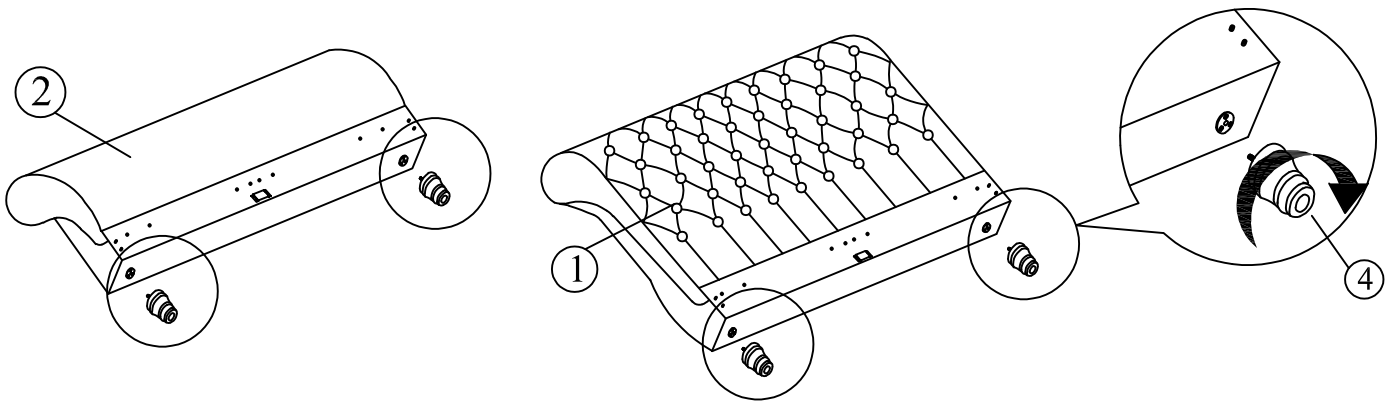
Hardware List		
Parts	Description	Qty
A	M6 x 20 mm JCBC 	4
B	M6 x 40 mm JCBC 	11
C	M8 x 60 mm JCBB 	8
D	M6 Spring Washer 	12
E	M6 Flat Washer 	12
F	M8 Spring Washer 	16
G	M8 Flat Washer 	16

Parts	Description	Qty
H	M8 Hex Nut 	8
I	M4 x 25 mm CSK 	24
J	Allen Key M4 x 65 mm 	1
K	Allen Key M5 x 70 mm 	1
L	M8 Spanner 	1
M	Small Adjuster 	3
N	M8 x 20 mm JCBB 	8

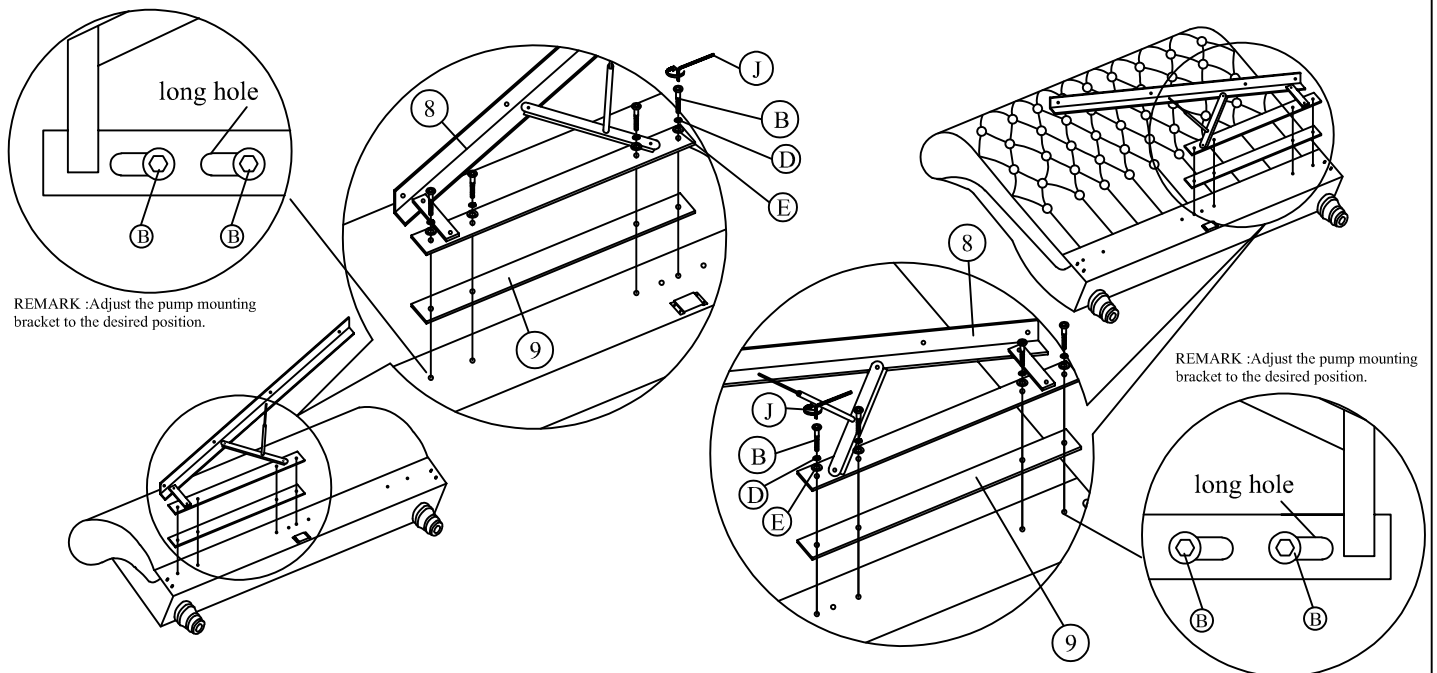
Step 1 : Unscrew the Pre-attached hex-nut of gas spring (10) and attach it back again as shown . Please fully tighten the nut .



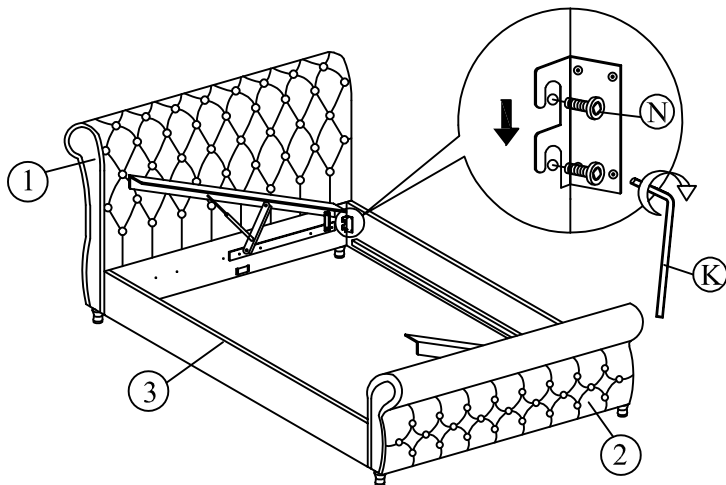
Step 2 : Attach the legs (4) to the headend (1) and footend (2).



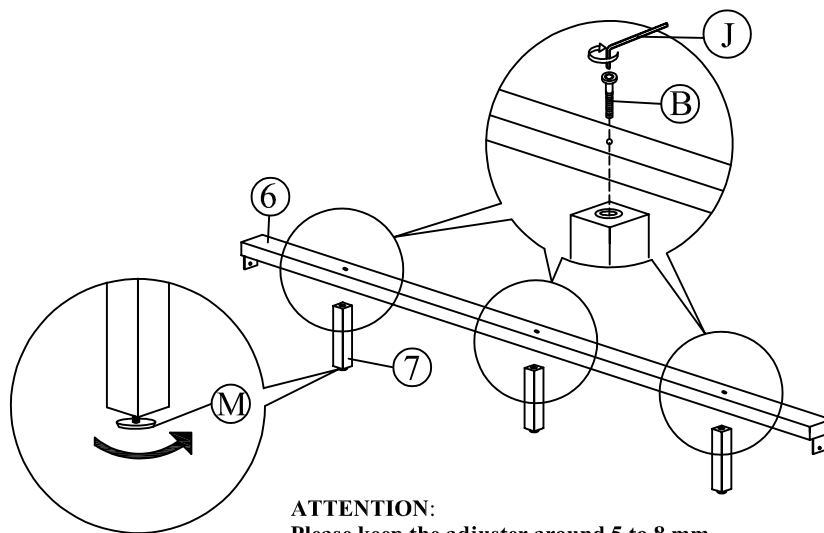
Step 3 : Attach the pump mounting bracket (8) and bracket base (9) to the headend (1) and footend (2) using hardware parts B , D , E and J.



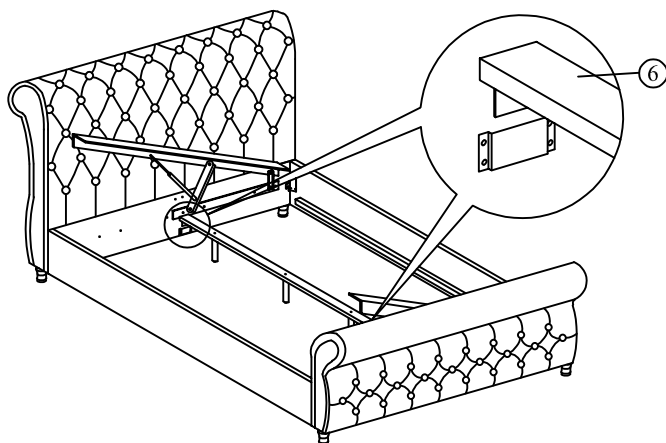
Step 4 : Attach the side rails (3) by pushing the brackets down into place and secure the bolts using hardware part K as shown.



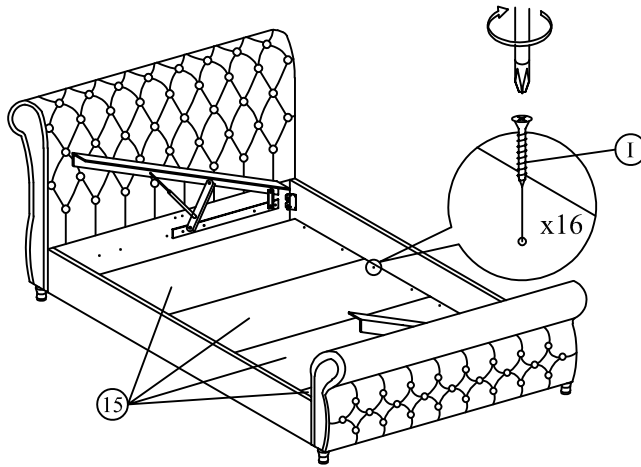
Step 5 : Attach the support legs (7) to the centre rail (6) using hardware parts B and J.



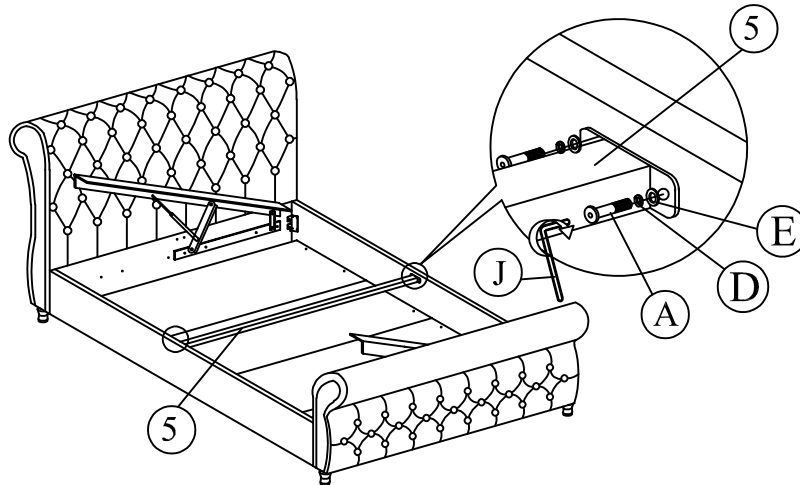
Step 6 : Insert the centre rail (6) to the headend (1) and footend (2).



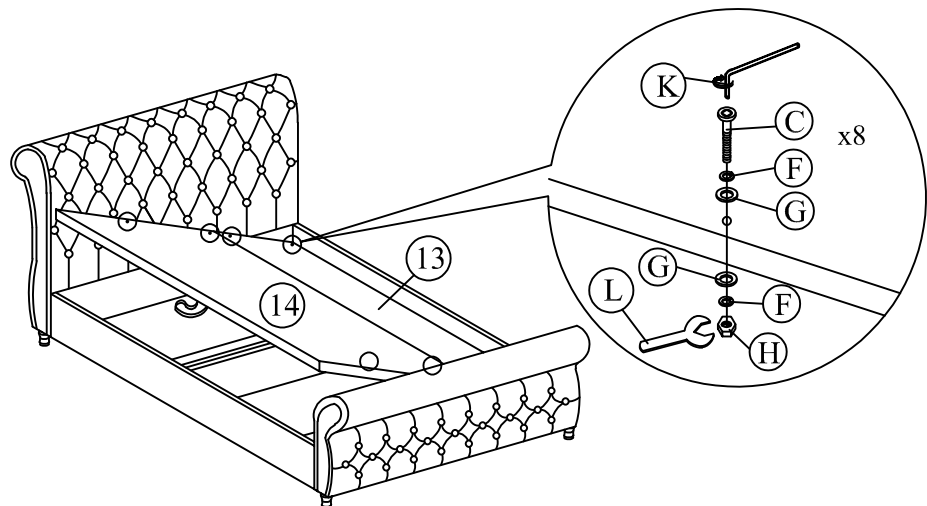
Step 7 : Insert the bottom panel (15) to the below frame and secure using hardware part I and a screwdriver (not provided).



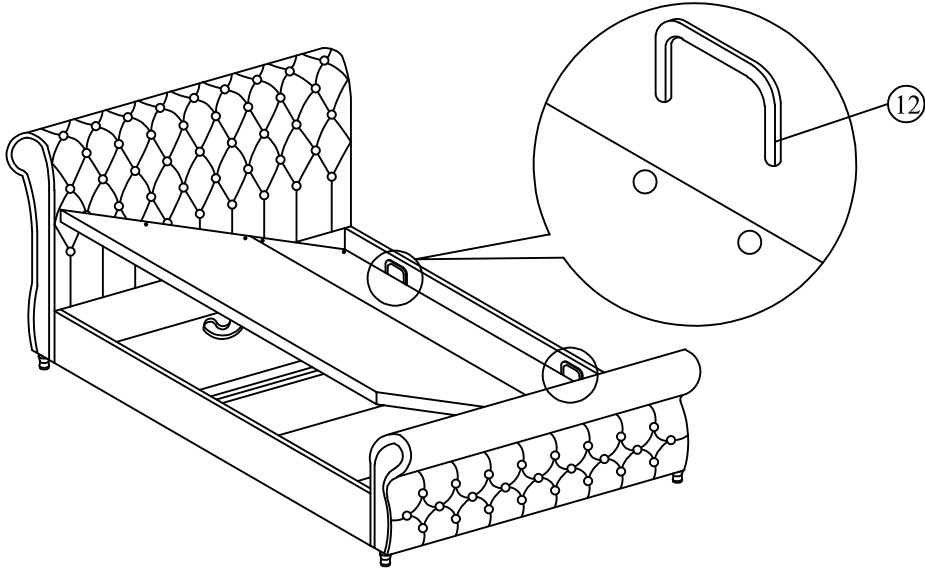
Step 8 : Insert the centre rail (5) to the side rail (3) and secure using hardware part A , D , E and J.



Step 9 : Assembly the small wooden frame (13) and big wooden frame (14) to the bracket and tighten all the fitting accordingly.

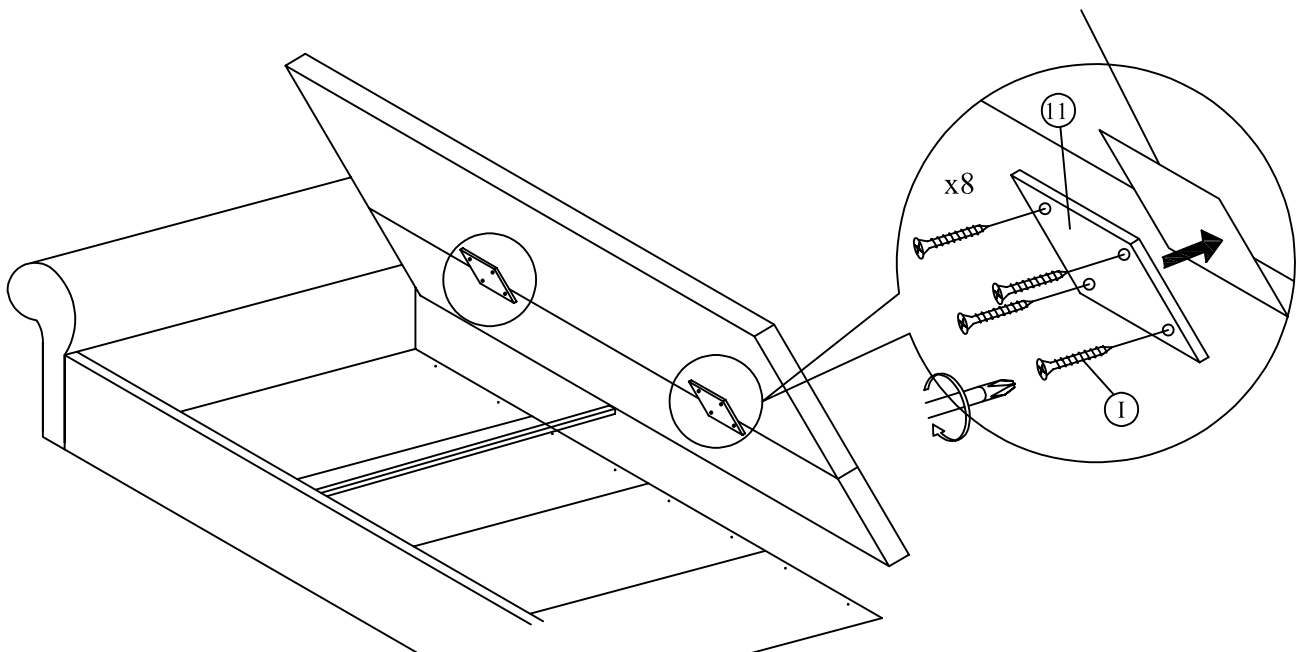


Step 10 : Insert the bed stopper (12) to the wooden frame as shown.



Step 11 : Attach the wooden frame bracket (11) to the wooden frame using hardware parts I and a screwdriver (not provided).

Please follow the marking and attach the bracket accordingly



Step 12 : Please use the safety lock for safety purpose.

