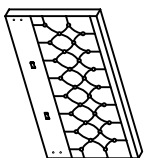





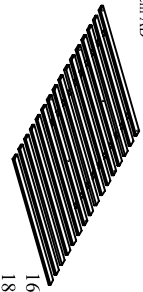
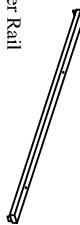
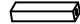
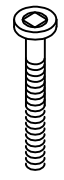


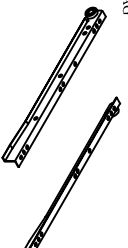
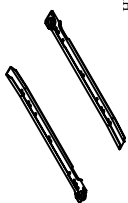





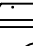



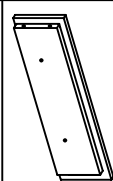
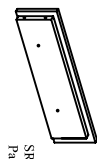
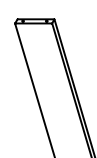





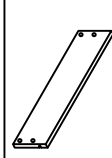
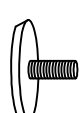
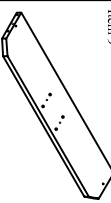
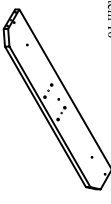

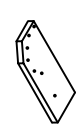
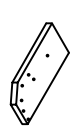
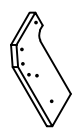
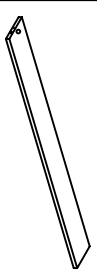
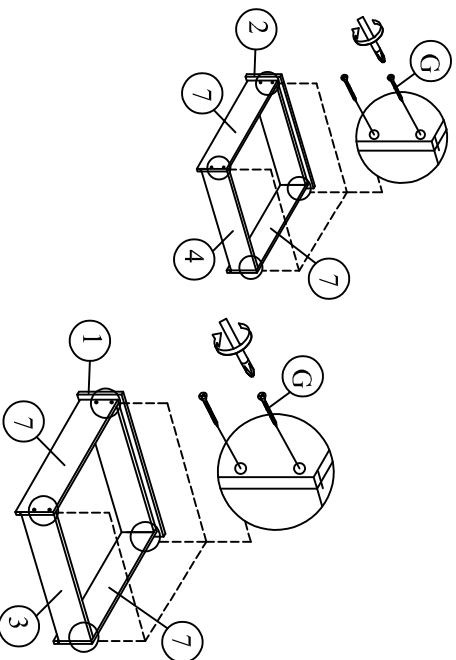
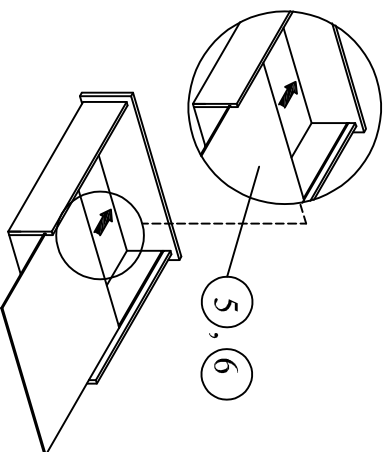


Item AA	1 pc	Item AB	1 pc	Item AC	2 pcs	Item A	31 pcs	Item B	14 pcs	Item C	6 pcs
 Headboard		 Footboard		 Side Rail		 Plastic Dowel ( 8 x 25 )		 JCBC W M6 x 40		 JCBC M6 x 40	
Item AD	1 pc	Item AE	2 pcs	Item AF	4 pcs	Item D	4 pcs	Item E	48 pcs	Item F	56 pcs
 16 Slats 1847mm		 Center Rail 2050mm		 Support leg 280mm		 JCBC M6 x 50		 CSK M3.5 x 16 mm		 CSK M4 x 32 mm	
Item AG	8 pcs	Item AH	8 pcs	Item AI	2 pcs	Item G	36 pcs	Item H	8 pcs	Item I	6 pcs
 Drawer Slide 500		 Drawer Slide 500		 Footboard leg 70 x 70 x 50(H)		 CSK M4 x 50mm		 JCBC M6 x 30		 Mini Fix Bolt	
Item AJ	2 pcs	Side Wings				Item J	6 pcs	Item K	6 pcs	Item L	52 pcs
 AJ 1		 AJ 2				 Mini Fix Housing		 Mini Fix Cap		 Power Nail 1/4	
Item 1	2 pcs	Item 2	2 pcs	Item 3	2 pcs	Item M	16 pcs	Item N	1 pc	Item O	14 pcs
 FB Drawer Front Panel		 SR Drawer Front Panel		 FB Drawer Back Panel		 White Nail Leg		 Allen Key 65 mm		 M6 Flat Washer	
Item 5	2 pcs	Item 6	2 pcs	Item 7	8 pcs	Item P	4 pcs				
 FB Drawer Bottom Panel		 SR Drawer Bottom Panel		 Drawer Side Panel		 Small Adjuster					
Item 9	1 pc	Item 10	1 pc	Item 11	2 pcs						
											
Item 13	1 pc	Item 14	1 pc	Item 15	1 pc						
											
Item 17	1 pc										
											

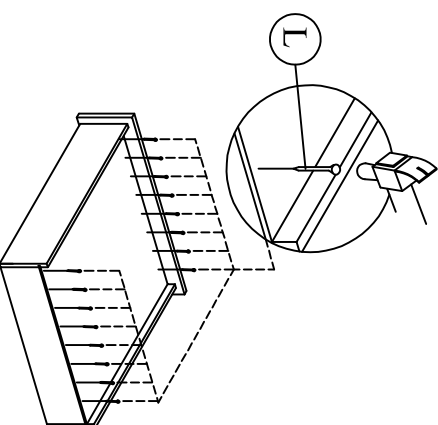
**Step 1** The way to assemble the big drawer and small drawer is the same !! Step 1 until Step 5 !!



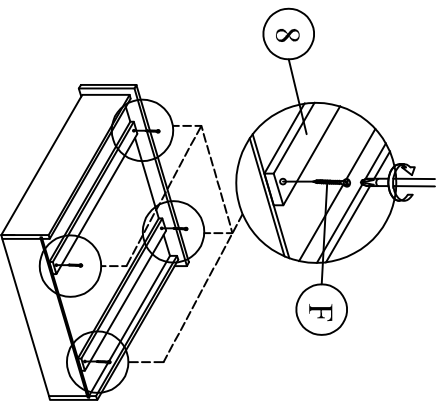
**Step 2**



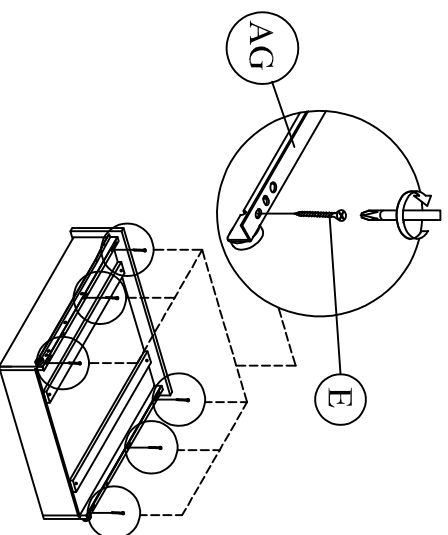
**Step 3**



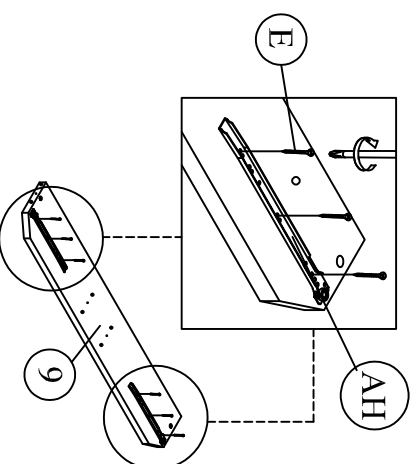
**Step 4**



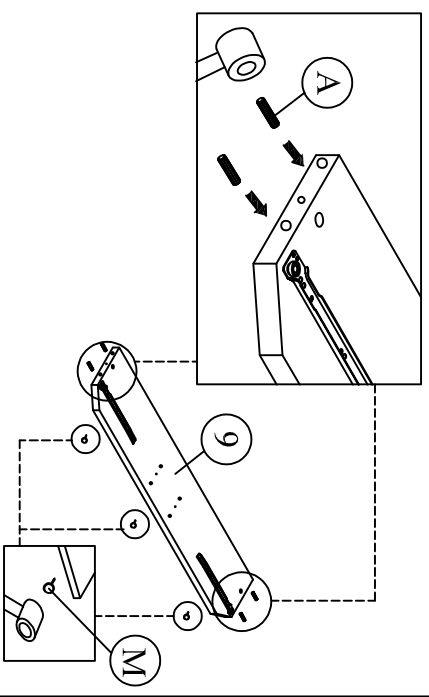
**Step 5**



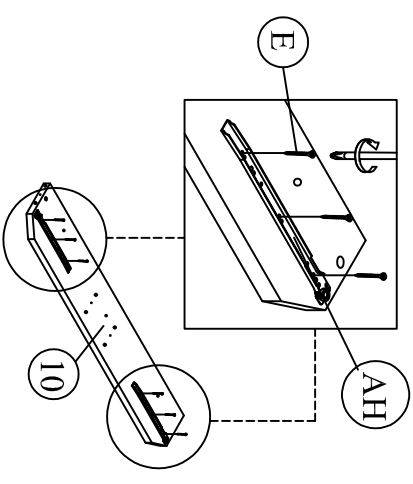
**Step 6**



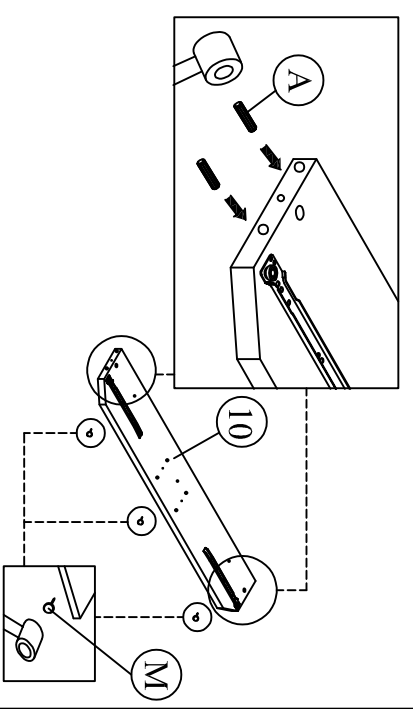
Step 7



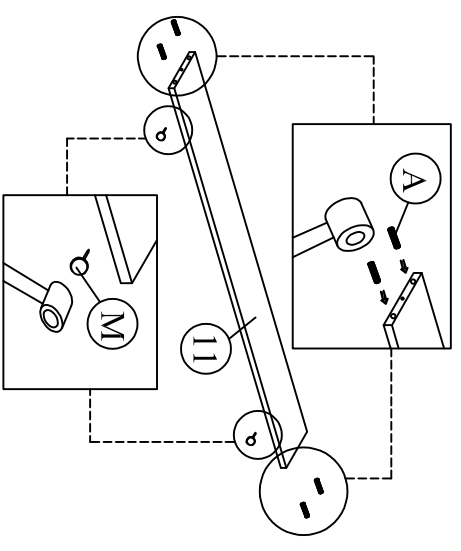
Step 8



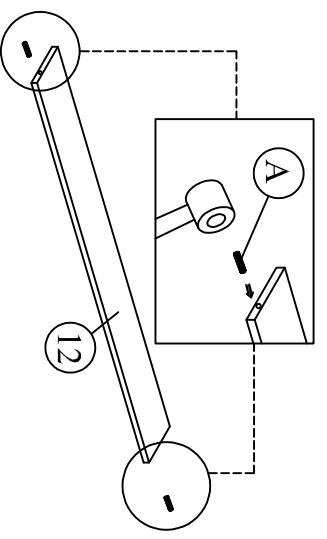
Step 9



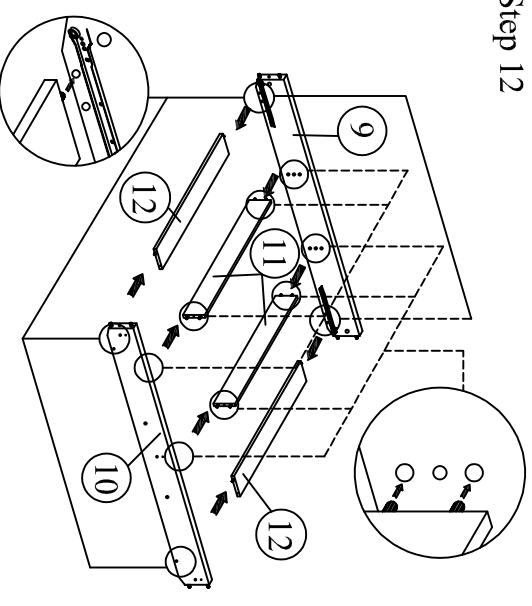
Step 10



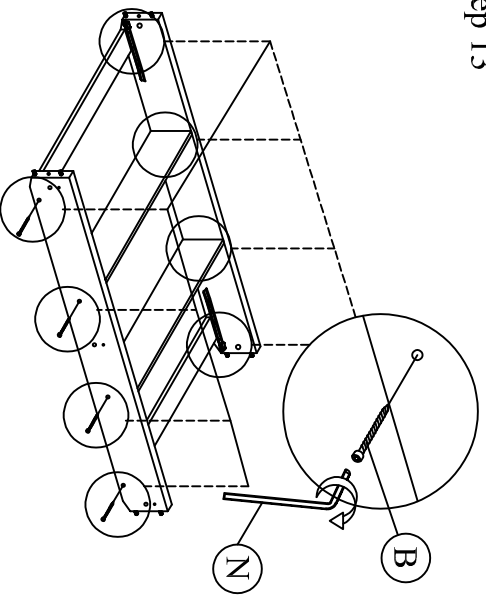
Step 11



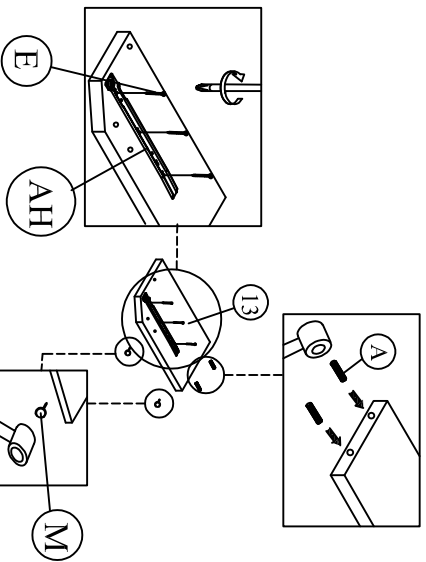
Step 12



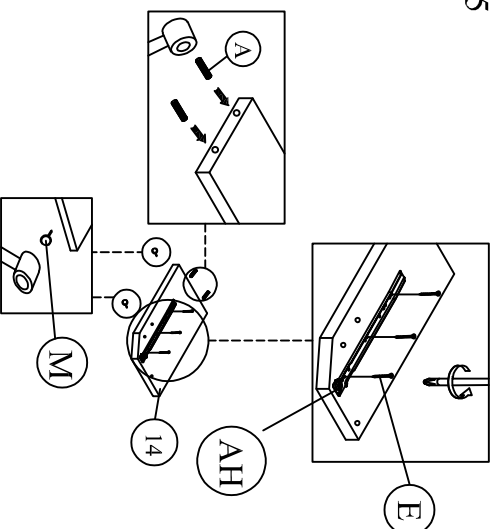
Step 13



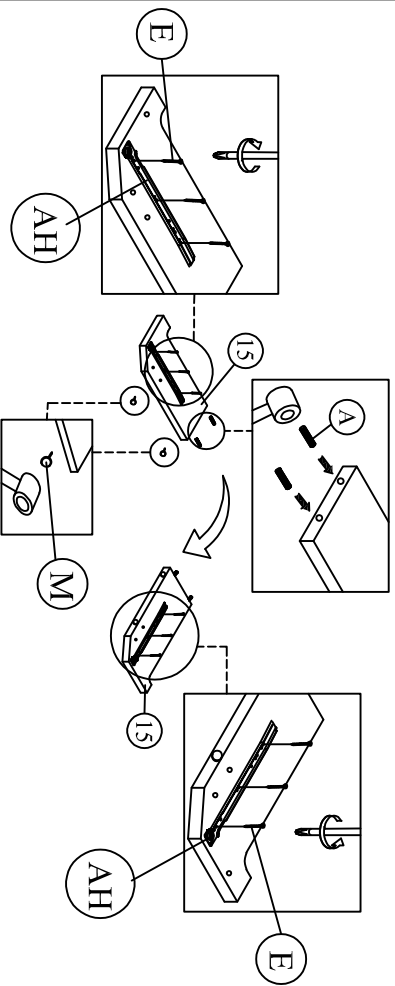
Step 14



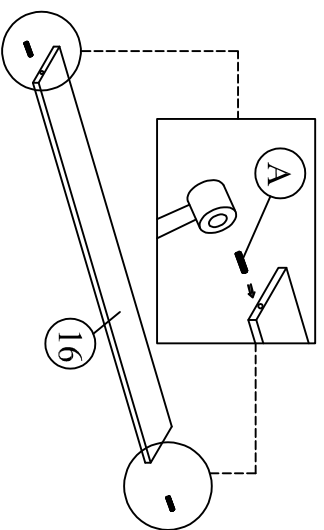
Step 15



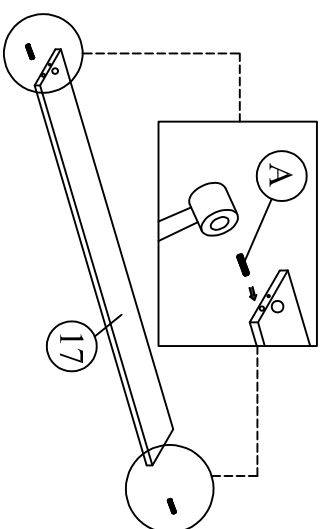
Step 16 Attach AH to 15 and tighten it with E, the flip 15 to the other side and repeat the same step.

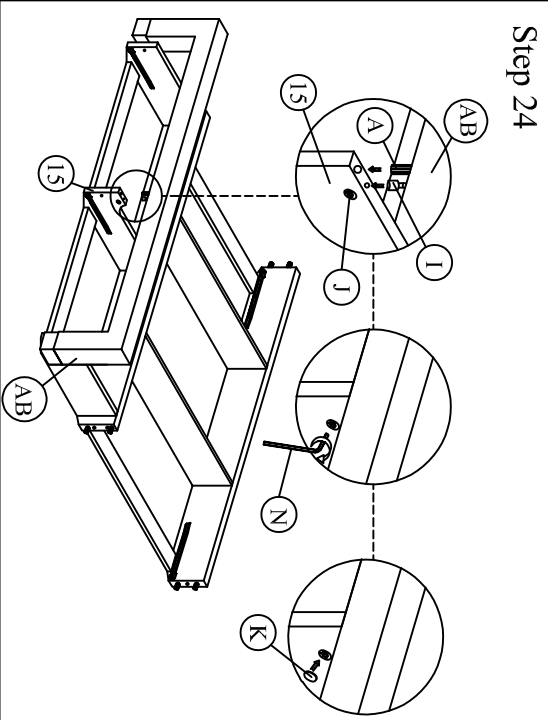
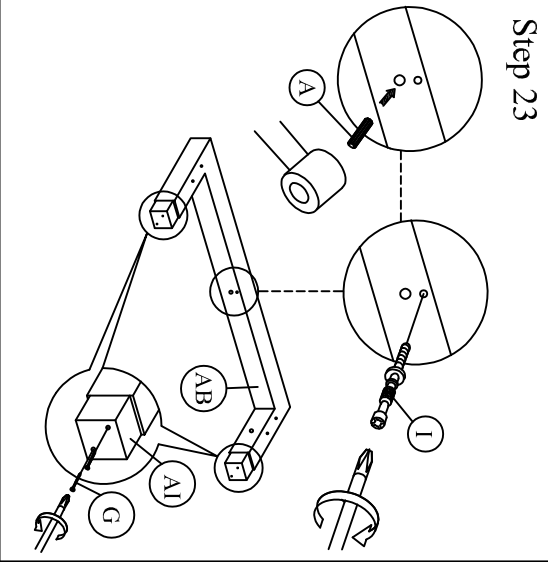
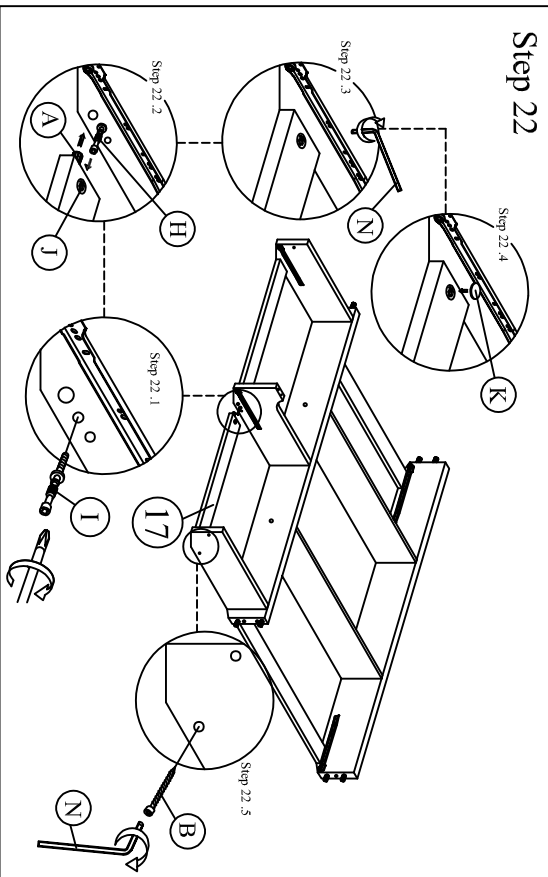
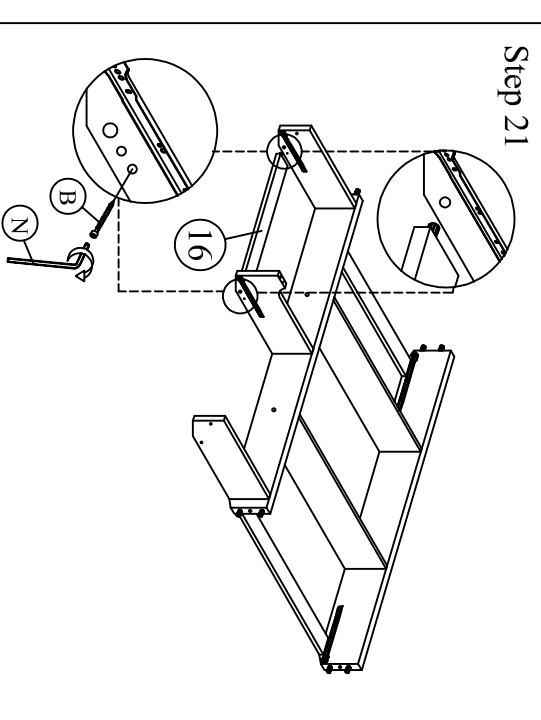
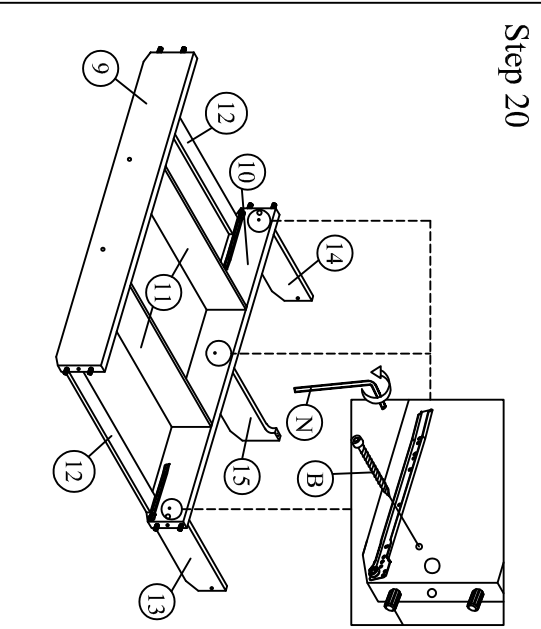
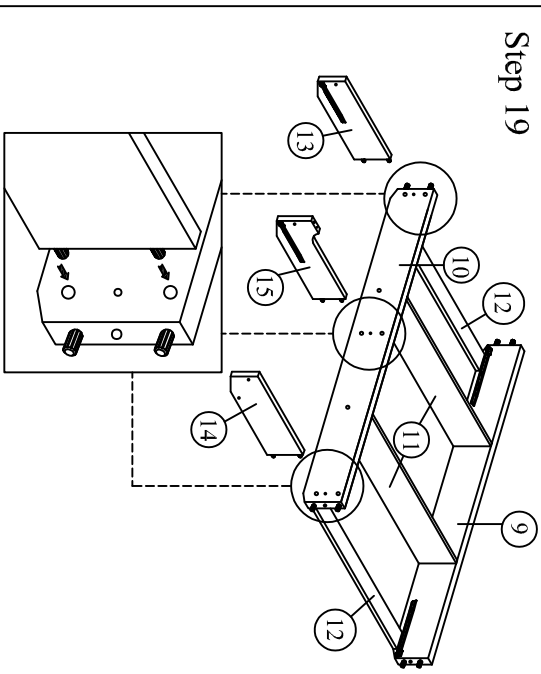


Step 17

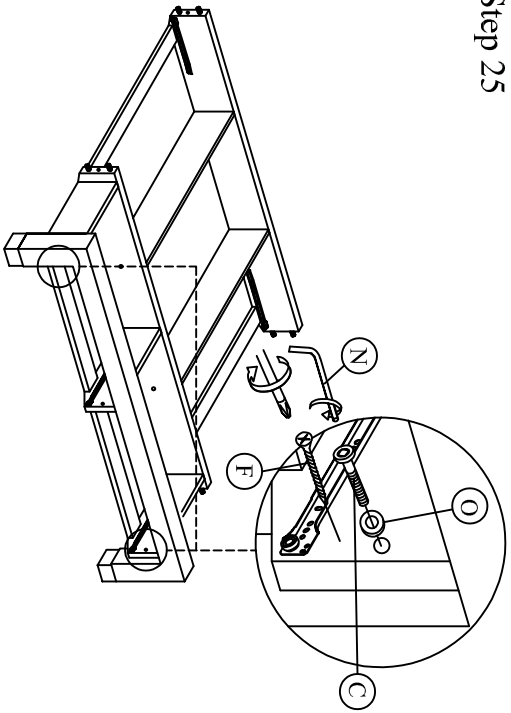


Step 18

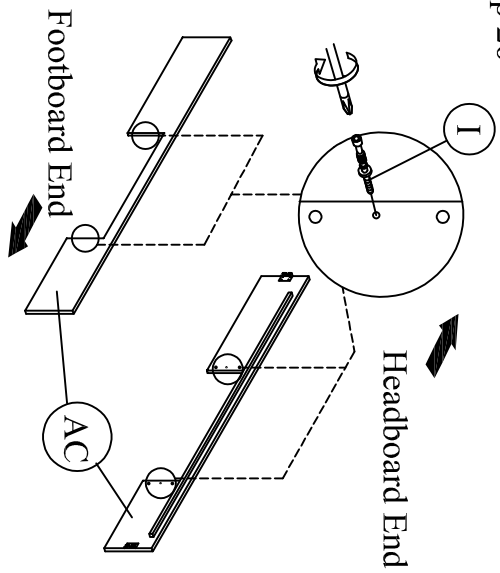




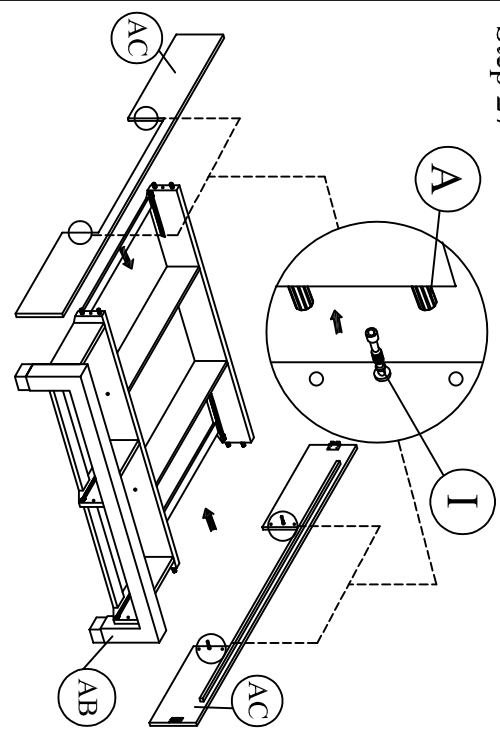
Step 25



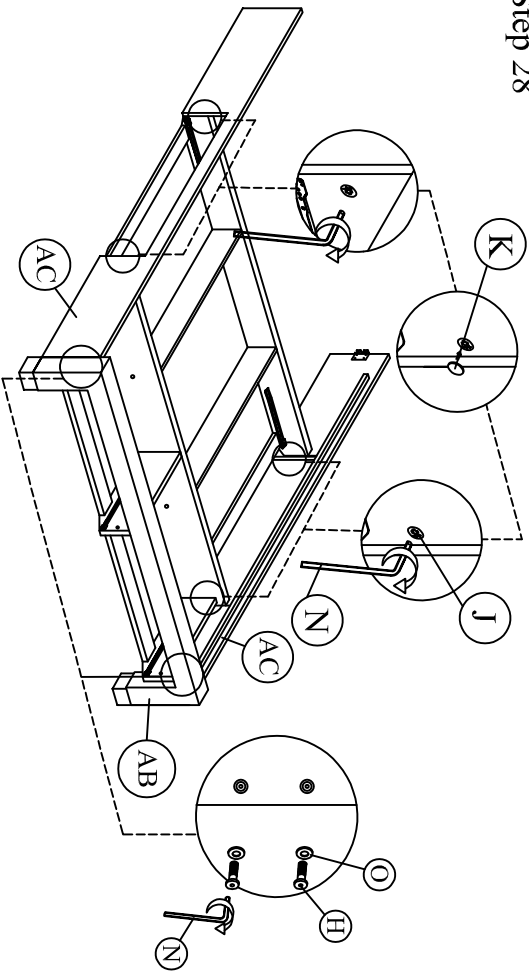
Step 26



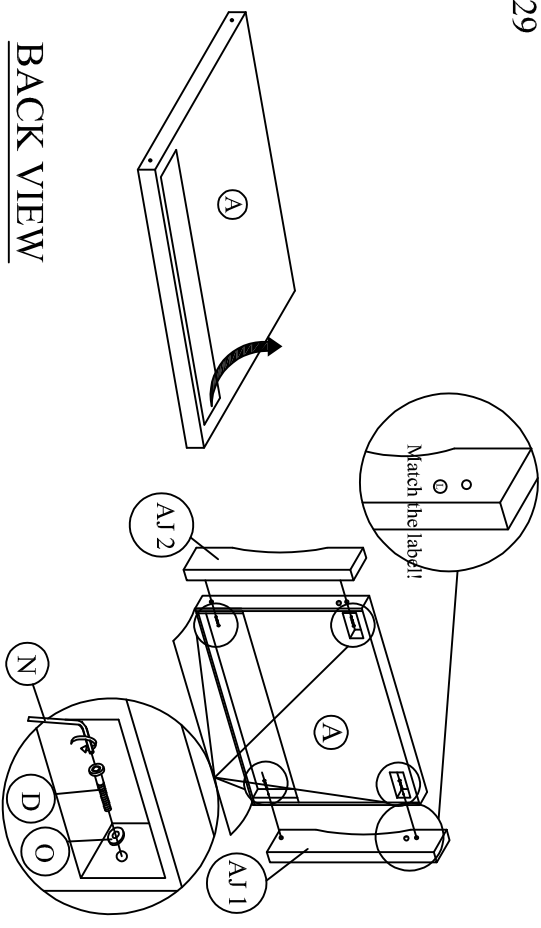
Step 27



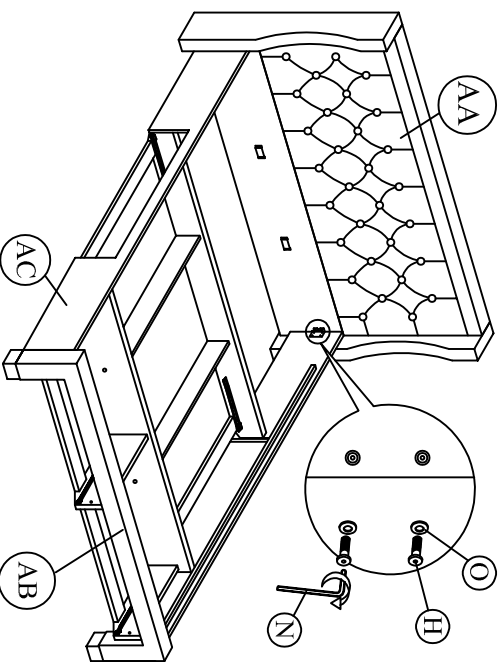
Step 28



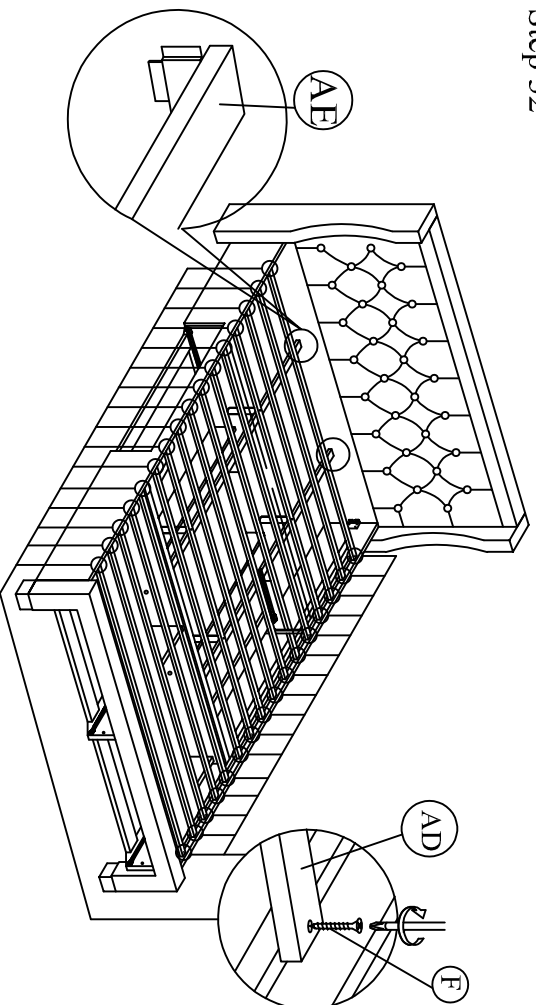
Step 29



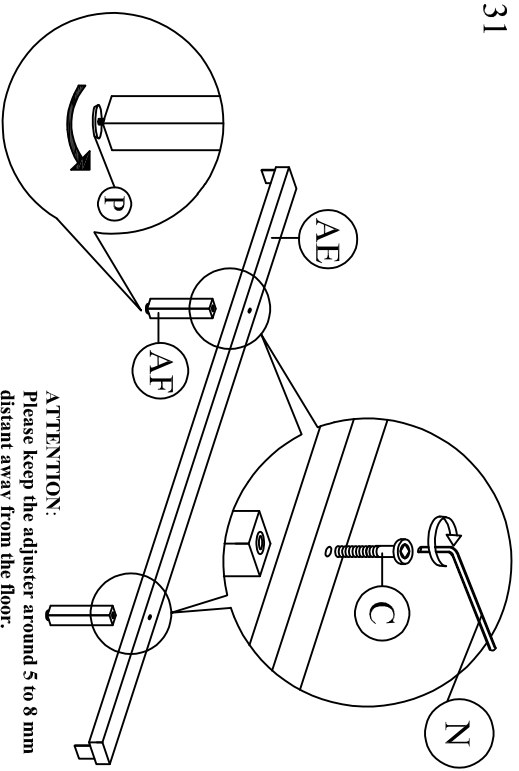
Step 30



Step 32



Step 31



Step 33

