

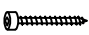







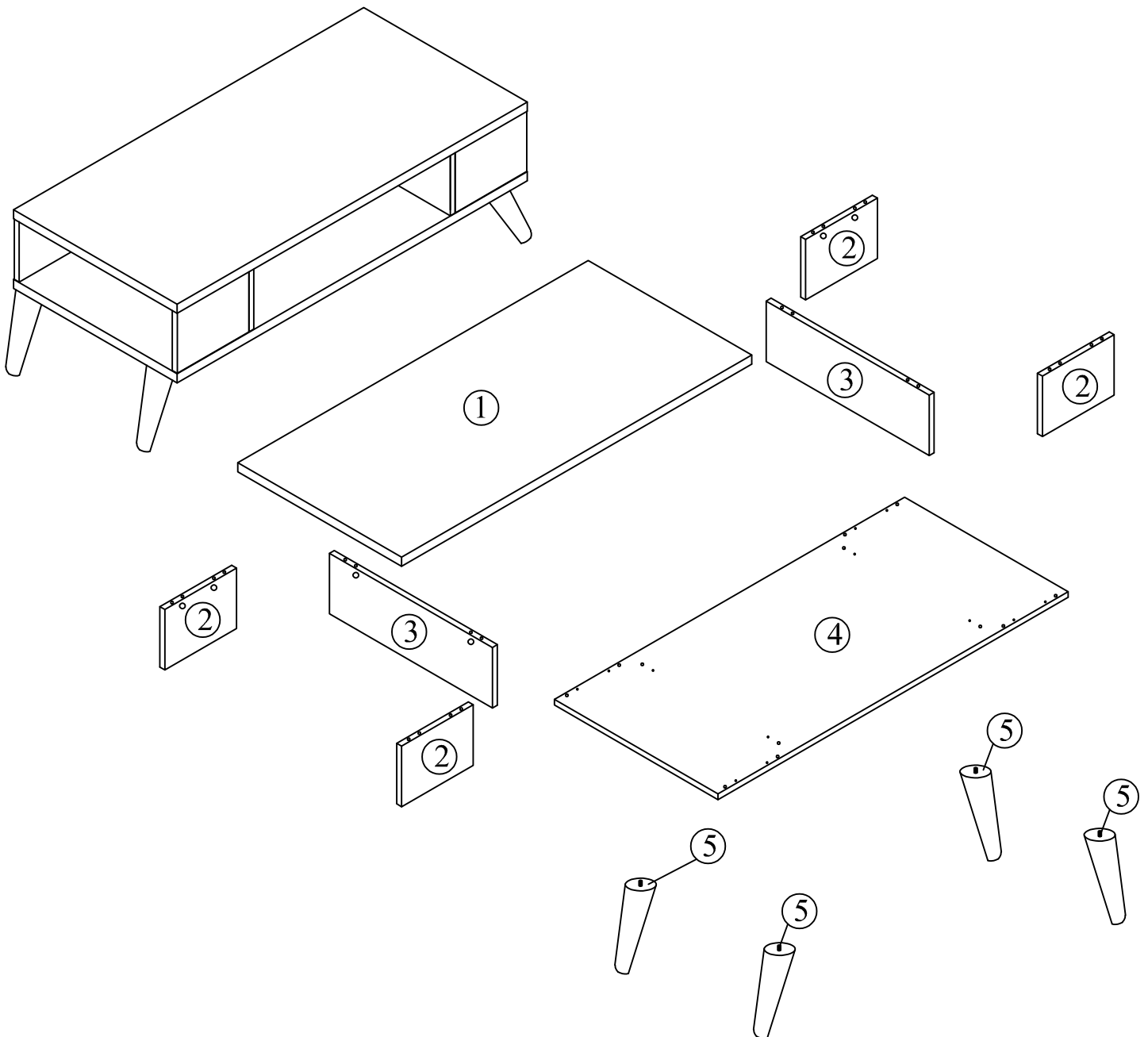
Assembly Instructions

ECOLIFE

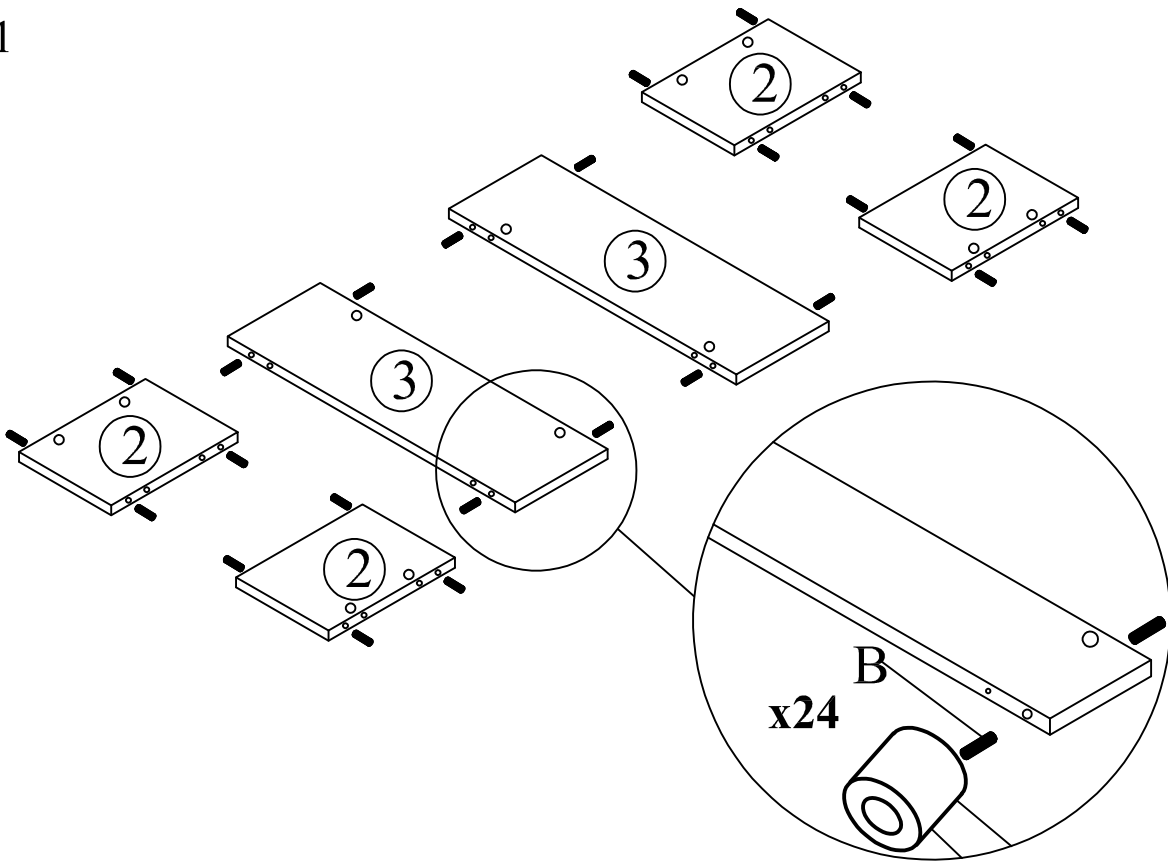
MODEL : CT 8021-LIANO SERIES COFFEE TABLE

Part List		QTY
1	Top Panel	1
2	Side Small Panel	4
3	Support Panel	2
4	Bottom Panel	1
5	Legs	4

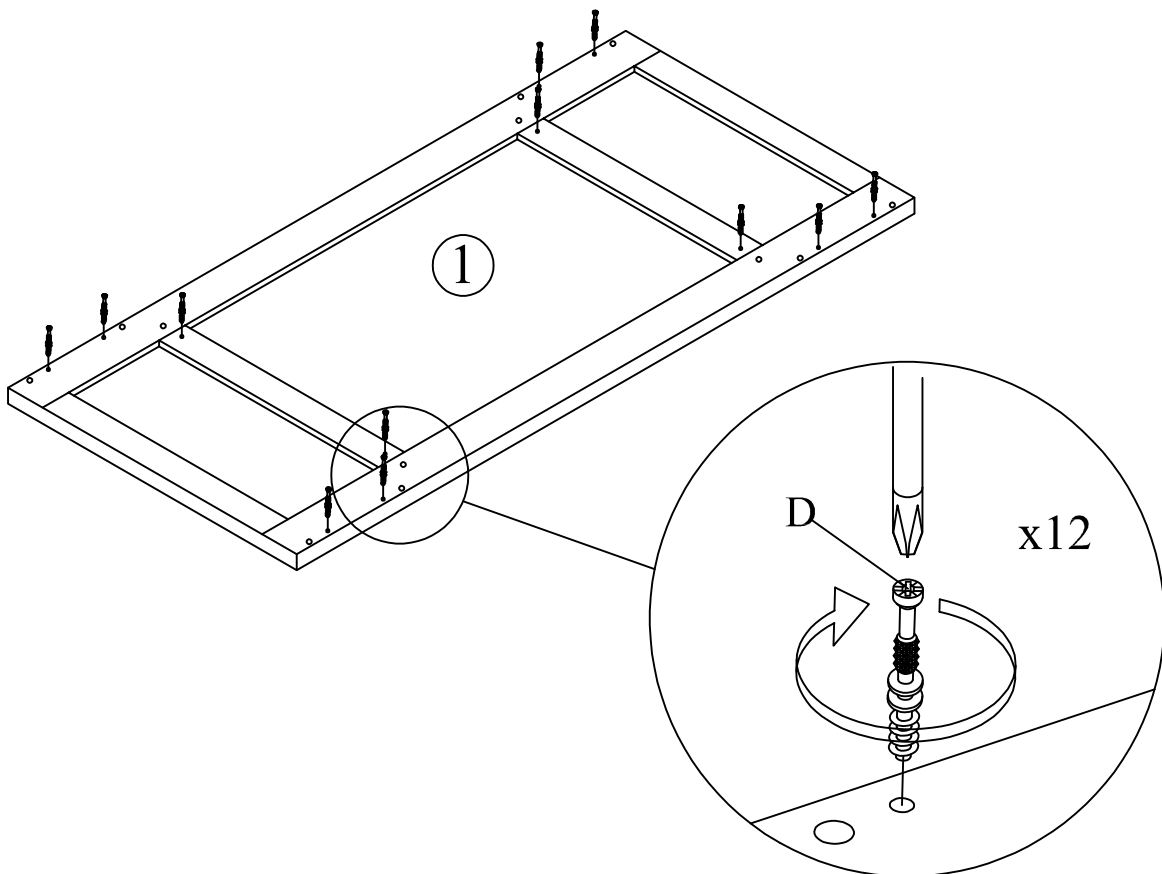
Hardware		QTY
A	Allen Key M4 	1
B	Dowel 	24
C	JCBC W Screw M6x40 	12
D	Mini Fix Bolt 	12
E	Mini Fix Housing 	12
F	Mini Fix Cap 	12
G	CSK Screw M4x20mm 	16
H	Mounting Leg 	4



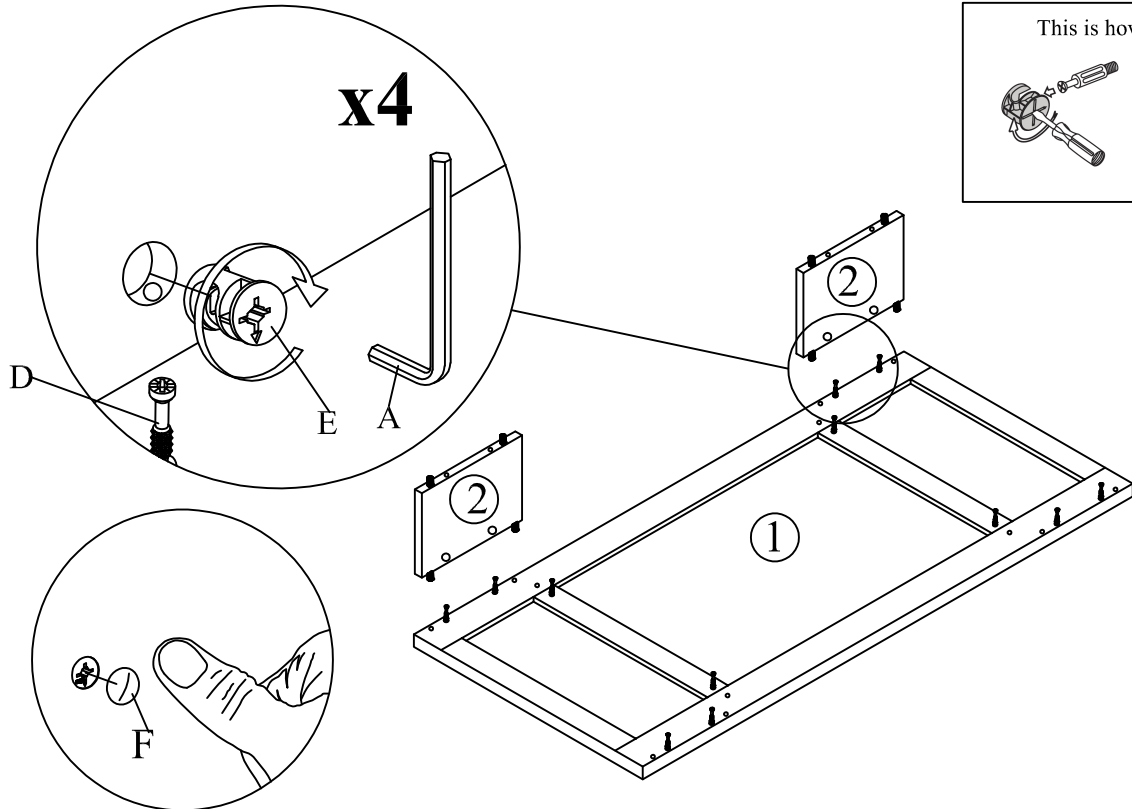
Step 1



Step 2

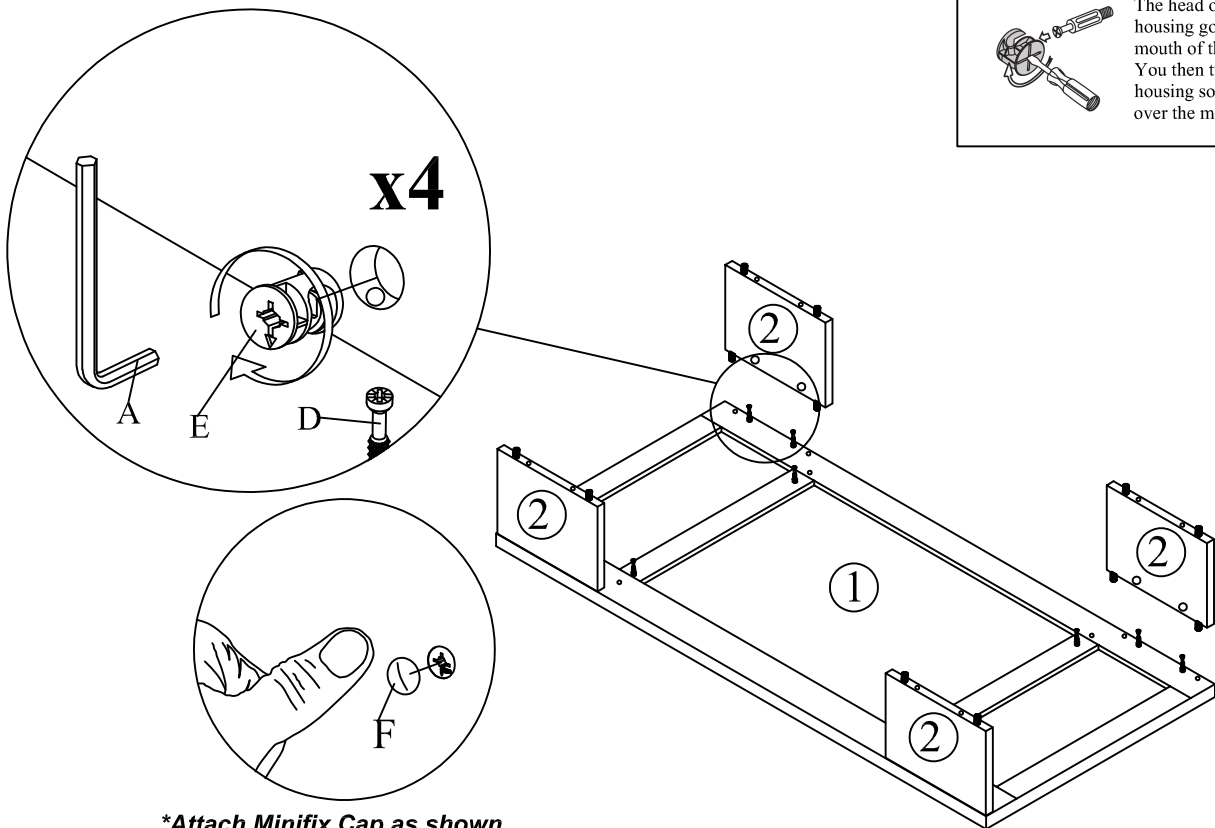


Step 3



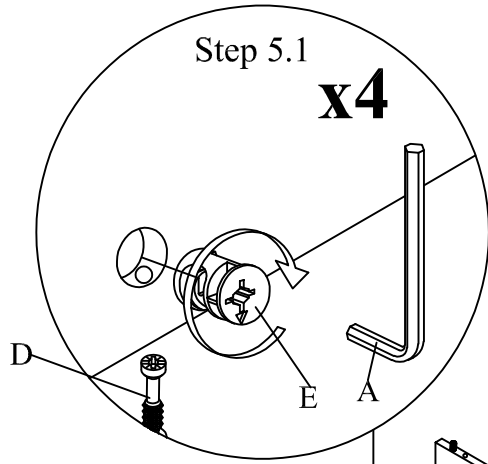
**Attach Minifix Cap as shown.*

Step 4

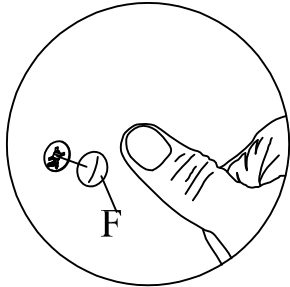


**Attach Minifix Cap as shown.*

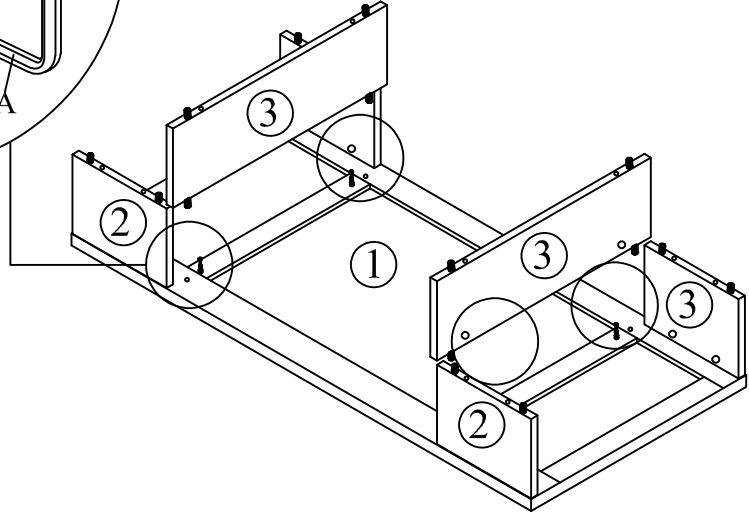
Step 5



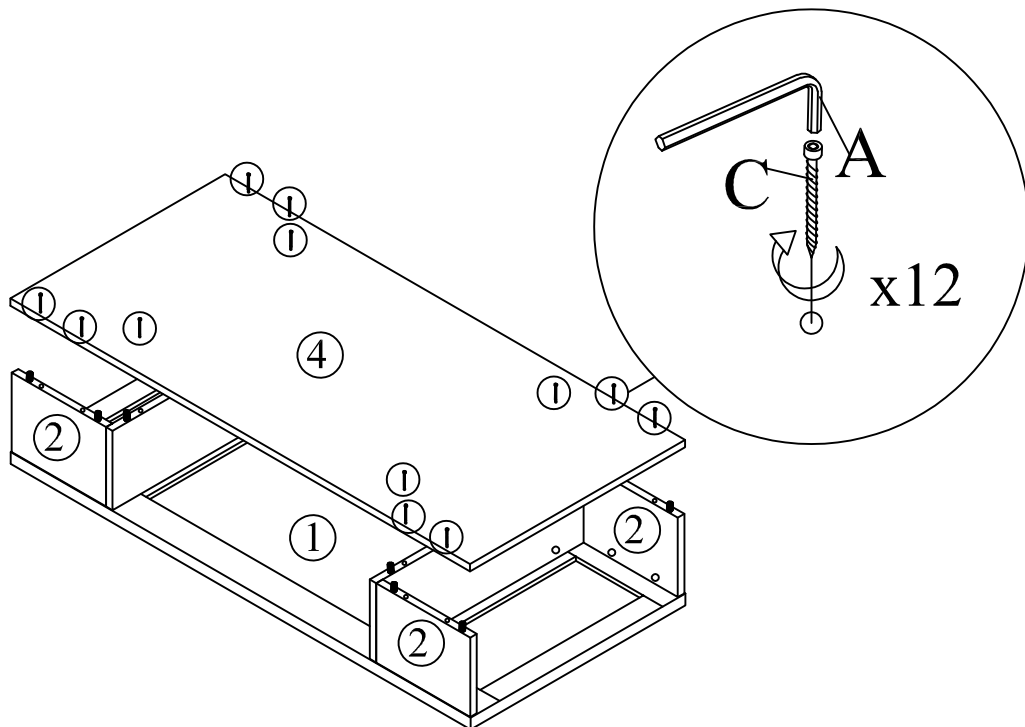
This is how a mini fix works...
The head of the mini fix housing goes into the open mouth of the mini fix bolt. You then turn the mini fix housing so it tightens over the mini fix bolt.



**Attach Minifix Cap as shown.*



Step 6



Step 7

