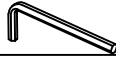





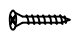
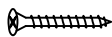




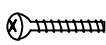
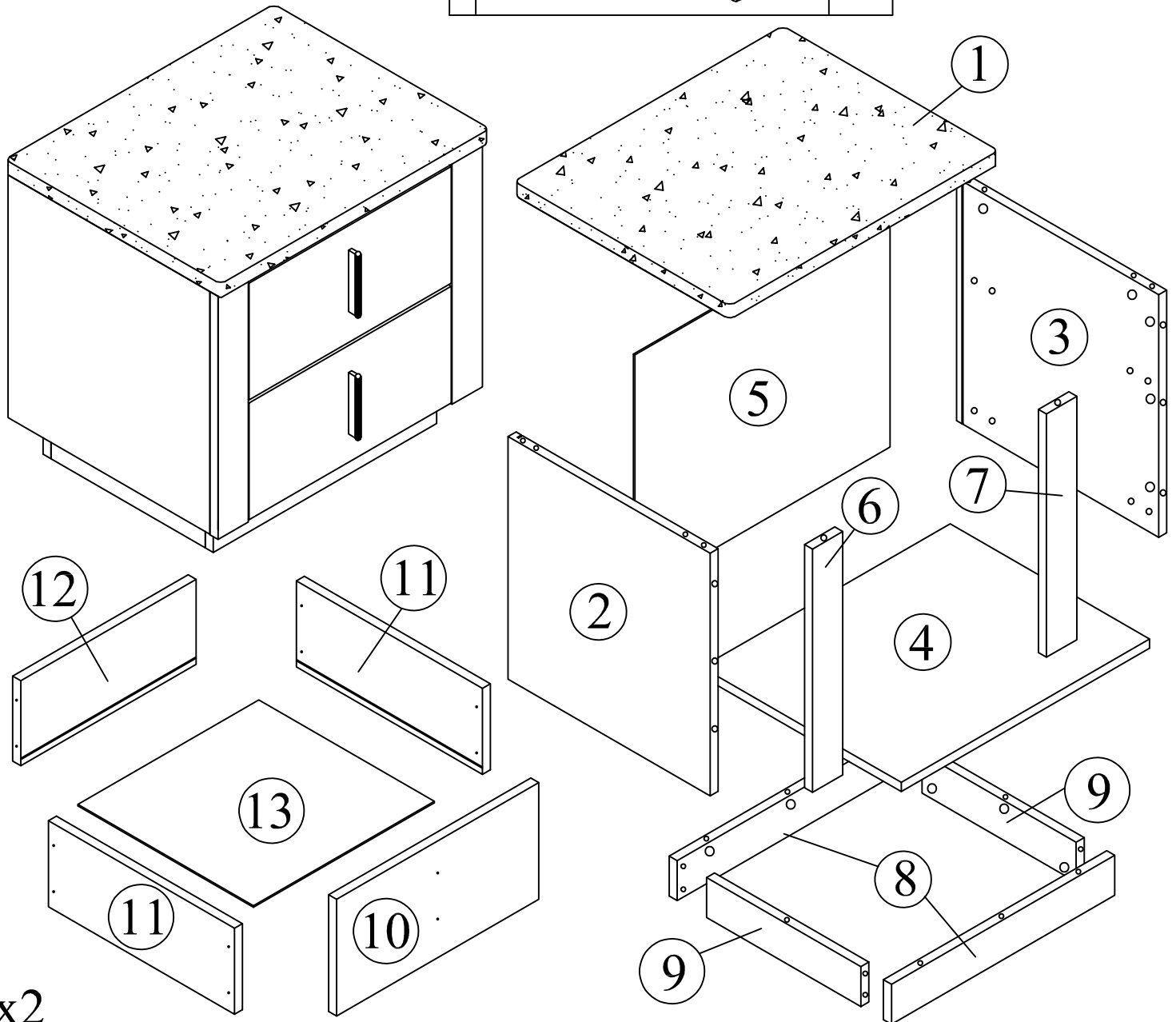


Assembly Instructions

ECOLIFE
MODEL : NS 8009-HASTING SERIES NIGHT STAND

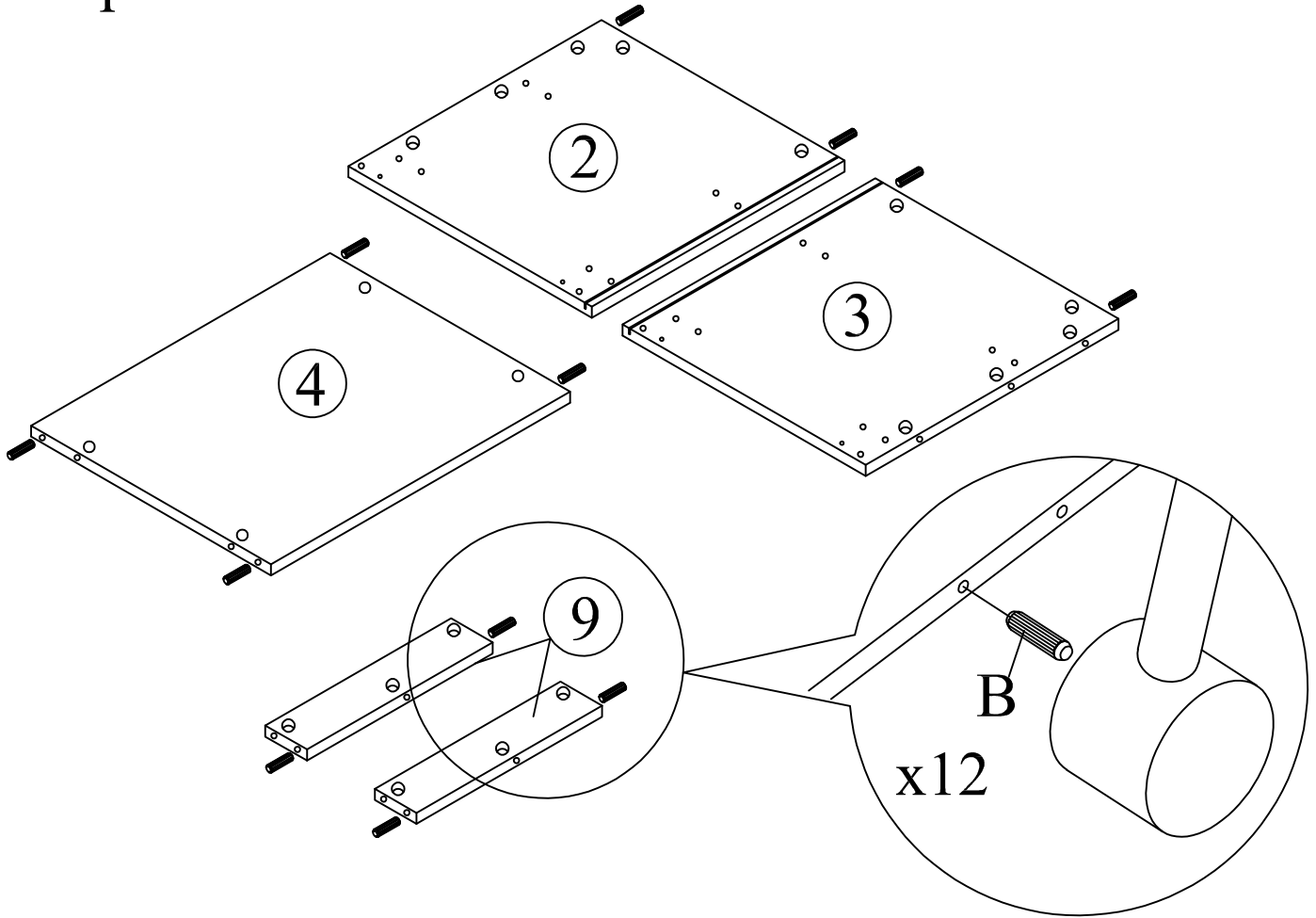
Part List	QTY
1 Top Panel	1
2 Left Side Panel	1
3 Right Side Panel	1
4 Bottom Panel	1
5 Back Panel	1
6 Front Bar Panel (L)	1
7 Front Bar Panel (R)	1
8 Legs (Front/Back)	2
9 Legs (Side)	2
10 Drawer Front Panel	2
11 Drawer Side Panel	4
12 Drawer Back Panel	2
13 Drawer Bottom Panel	2

Hardware	QTY
A Allen Key M4 	1
B Dowel 	12
C Mini Fix Bolt 	28
D Mini Fix Housing 	28
E Mini Fix Cap 	28
F Drawer Slider Support 	8
G CSK Screw M3.5x16mm 	44
H CSK Screw M4x50mm 	16
I L Bracket 	4
J Handle 	2
K Drawer Slider 	2
L White Nail 	4
M Handle Screw 35mm 	4

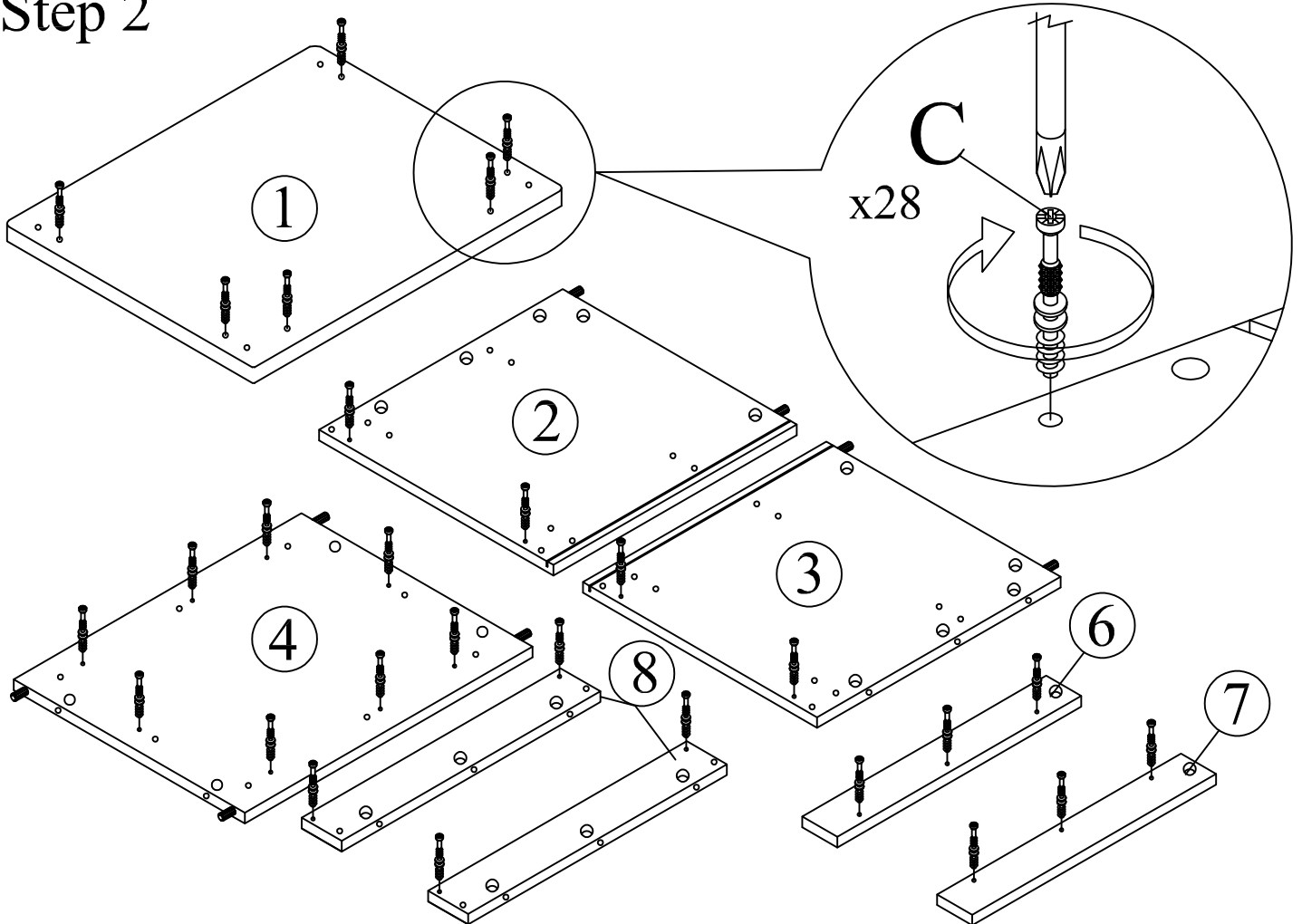


x2

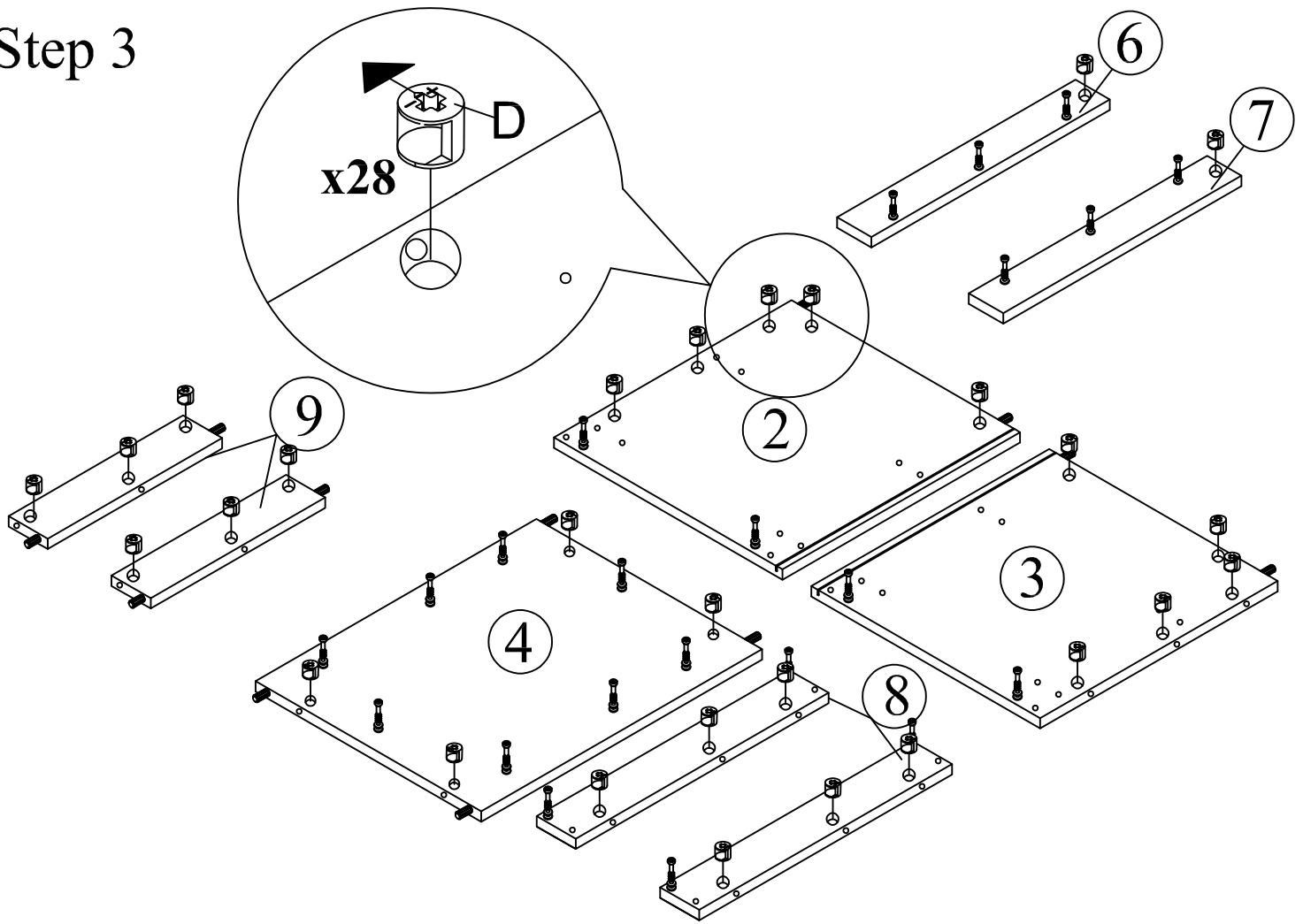
Step 1



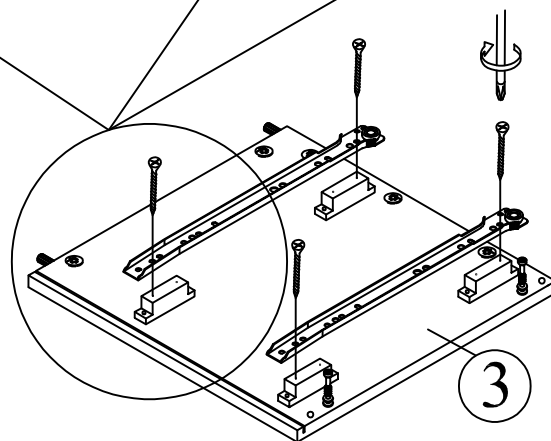
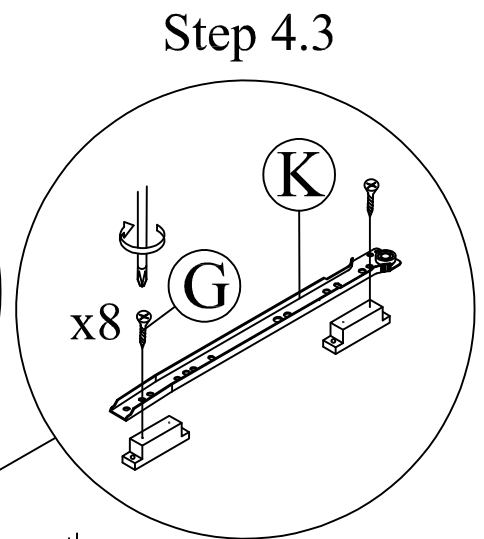
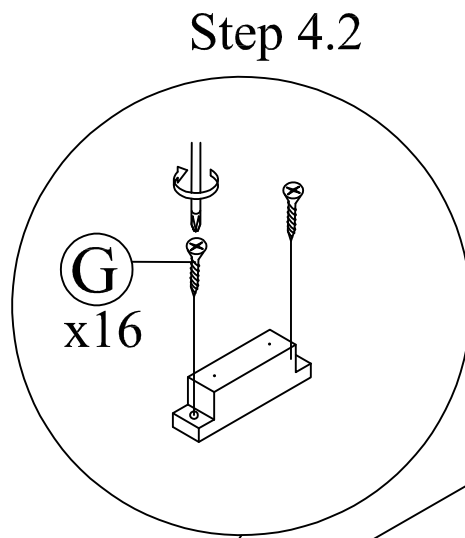
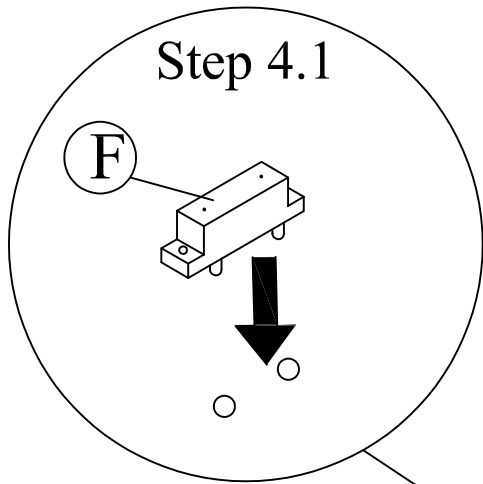
Step 2



Step 3

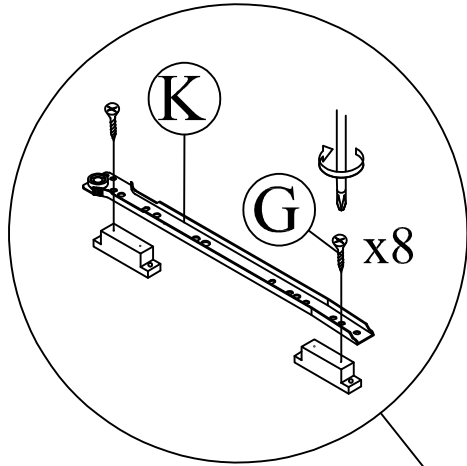


Step 4

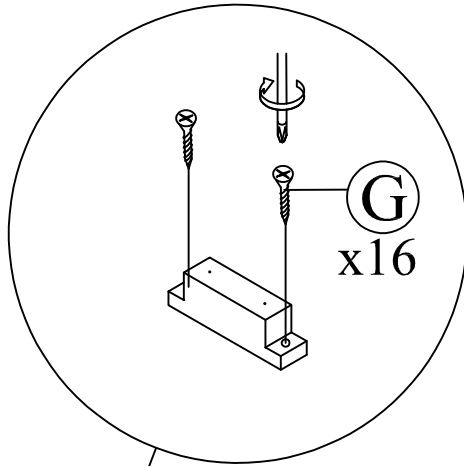


Step 5

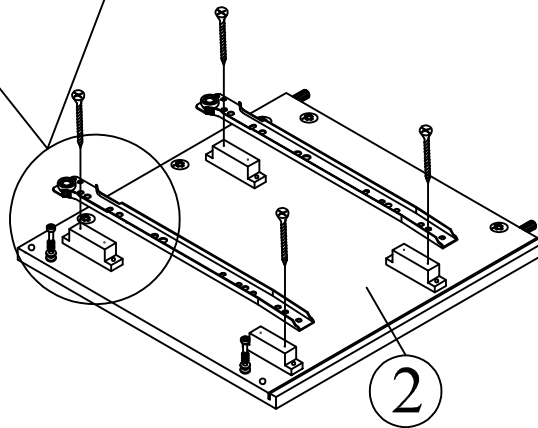
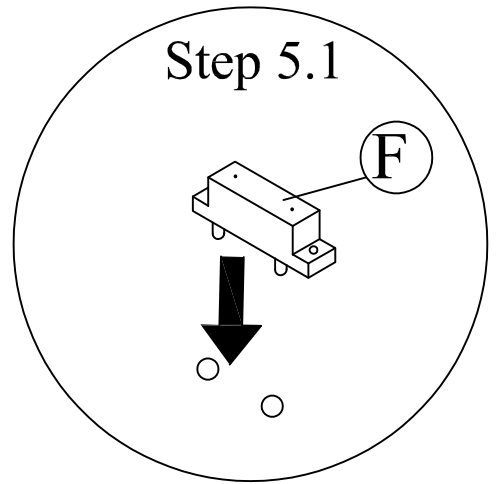
Step 5.3



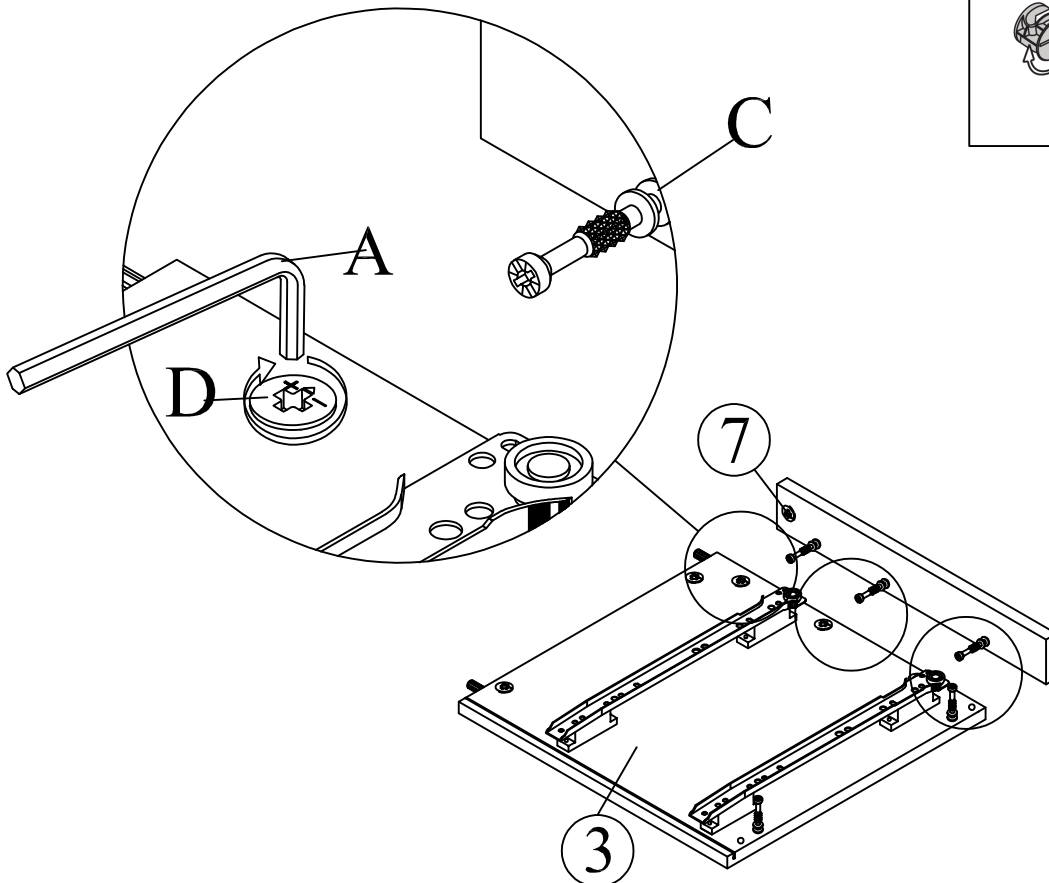
Step 5.2



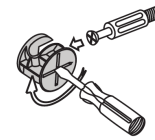
Step 5.1



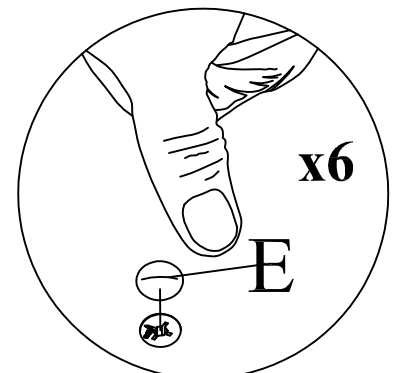
Step 6



This is how a mini fix works...

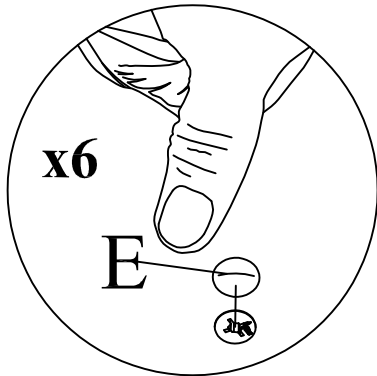


The head of the mini fix housing goes into the open mouth of the mini fix bolt. You then turn the mini fix housing so it tightens over the mini fix bolt.

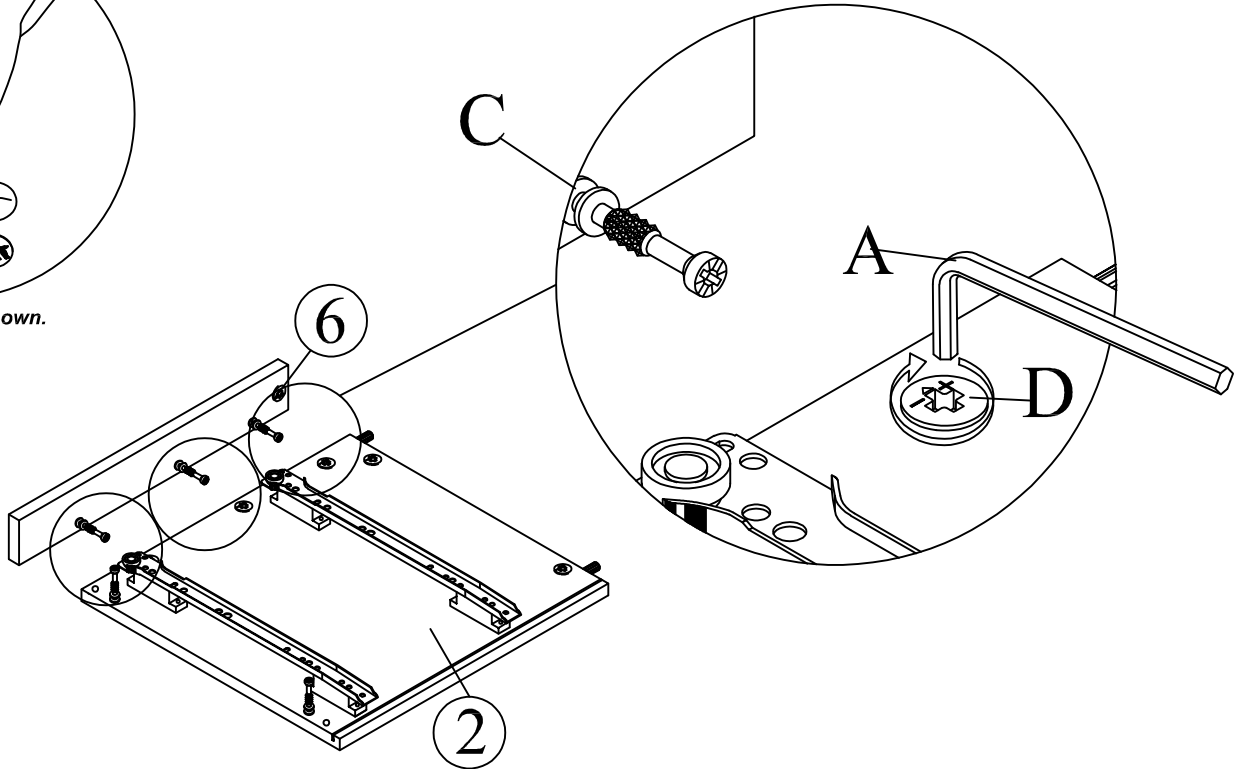


*Attach Minifix Cap as shown.

Step 7



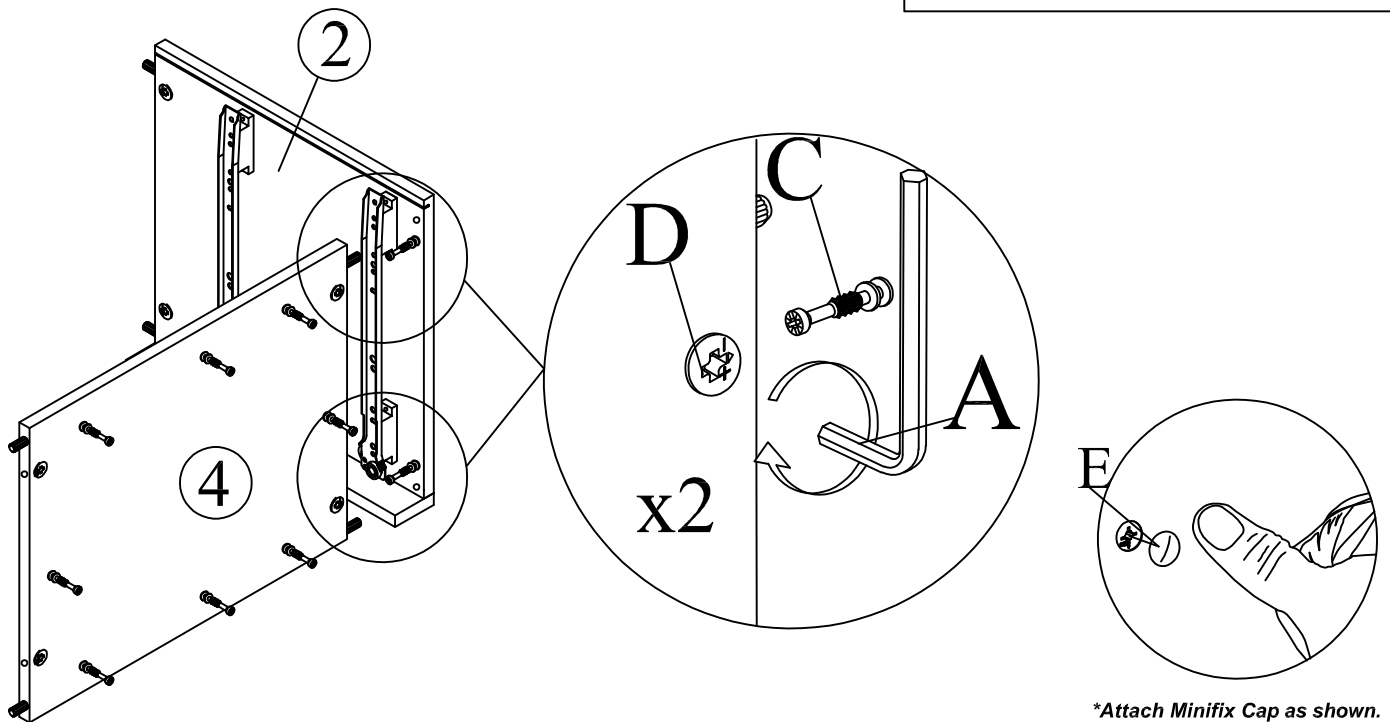
*Attach Minifix Cap as shown.



This is how a mini fix works...
 The head of the mini fix housing goes into the open mouth of the mini fix bolt. You then turn the mini fix housing so it tightens over the mini fix bolt.

Step 8

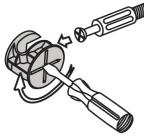
This is how a mini fix works...
 The head of the mini fix housing goes into the open mouth of the mini fix bolt. You then turn the mini fix housing so it tightens over the mini fix bolt.



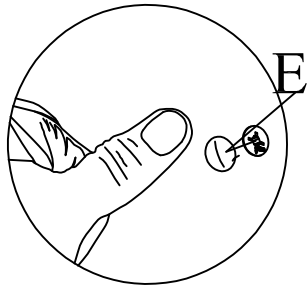
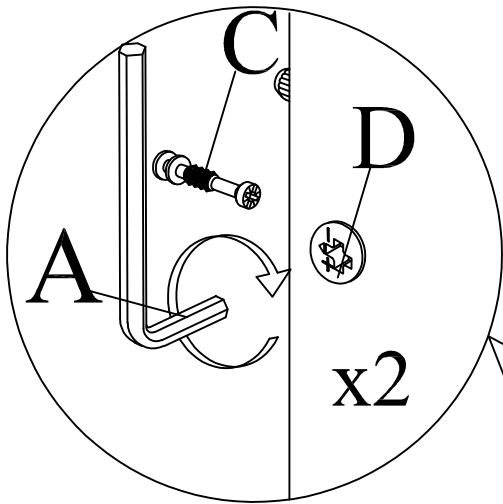
*Attach Minifix Cap as shown.

Step 9

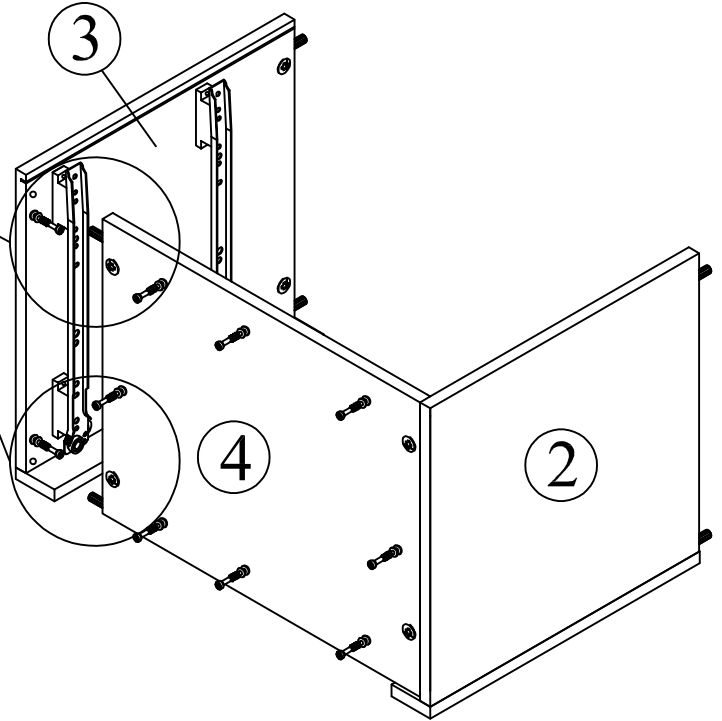
This is how a mini fix works...



The head of the mini fix housing goes into the open mouth of the mini fix bolt. You then turn the mini fix housing so it tightens over the mini fix bolt.

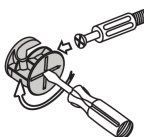


**Attach Minifix Cap as shown.*

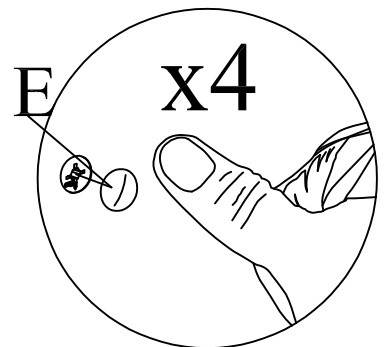
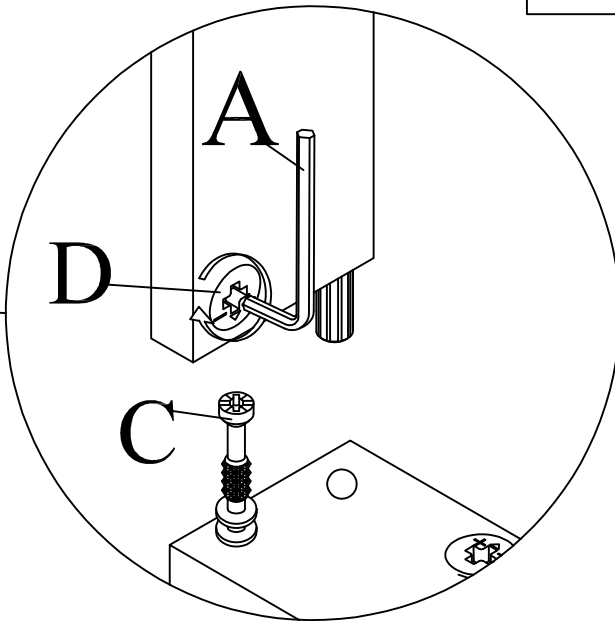
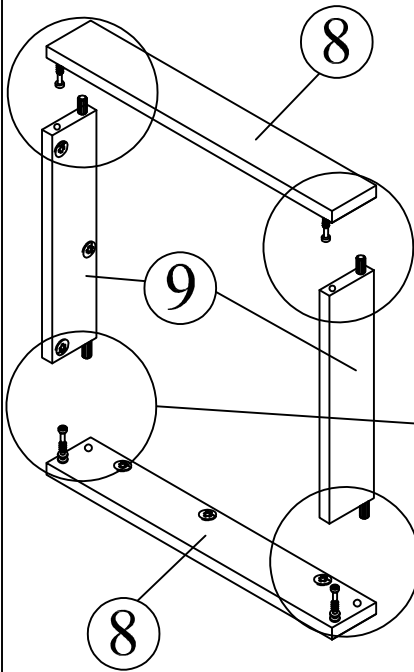


Step 10

This is how a mini fix works...

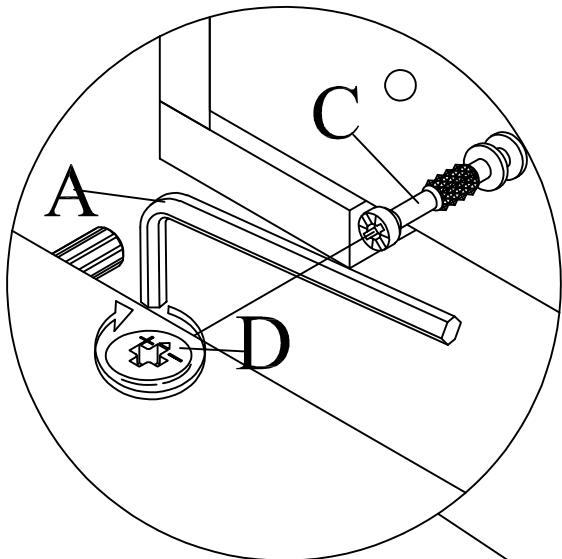


The head of the mini fix housing goes into the open mouth of the mini fix bolt. You then turn the mini fix housing so it tightens over the mini fix bolt.

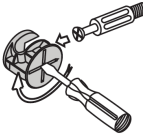


**Attach Minifix Cap as shown.*

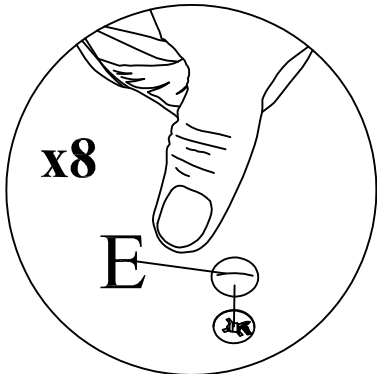
Step 11



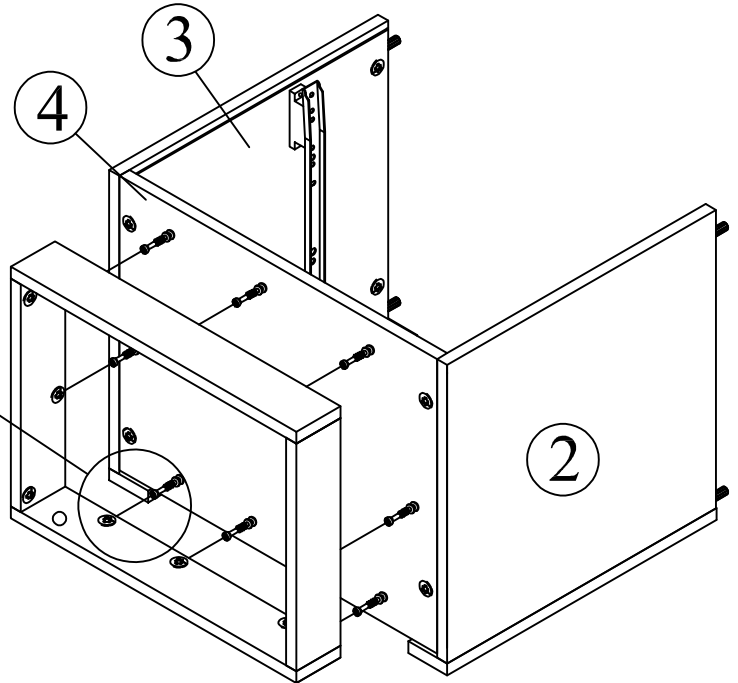
This is how a mini fix works...



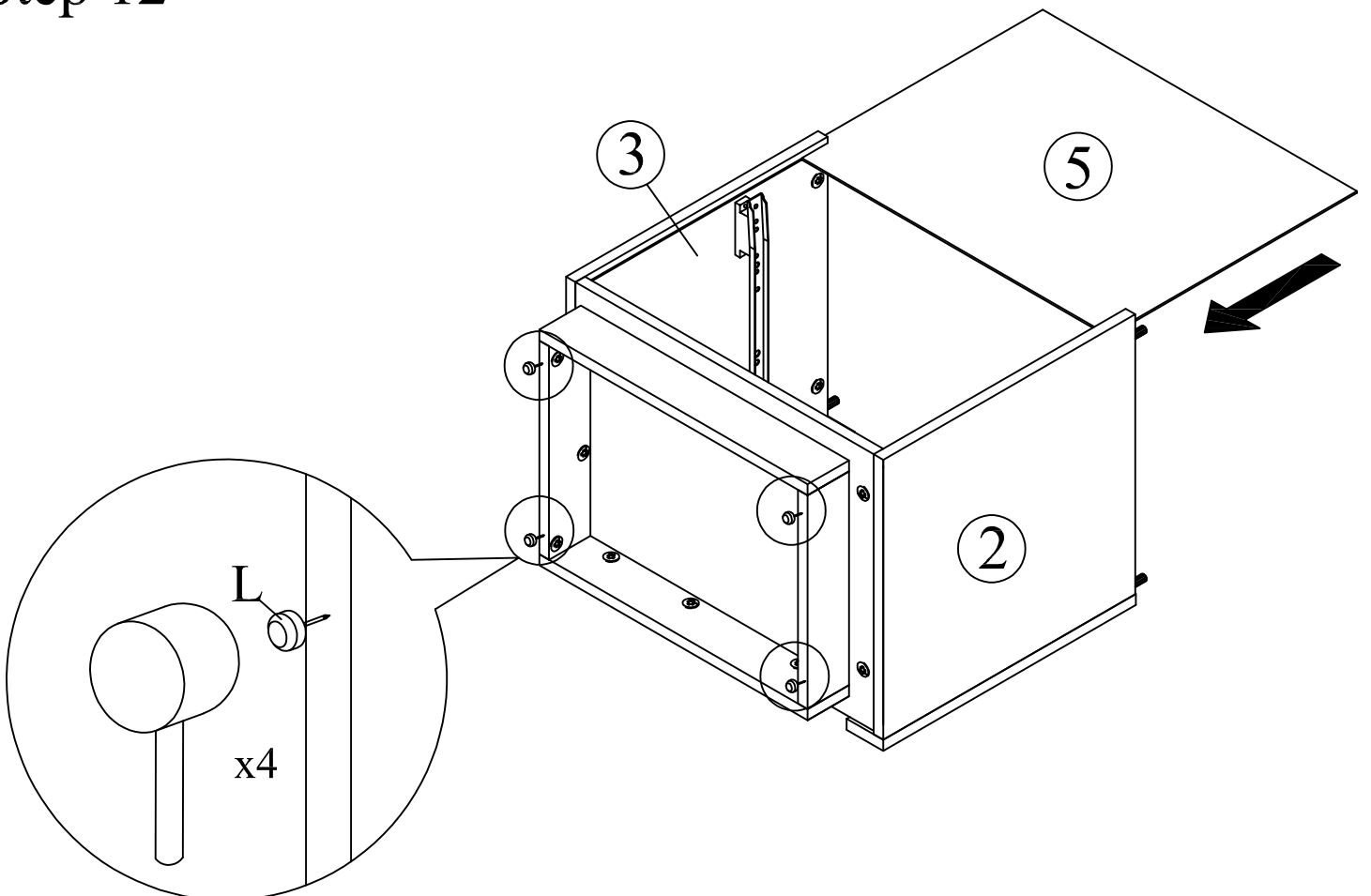
The head of the mini fix housing goes into the open mouth of the mini fix bolt. You then turn the mini fix housing so it tightens over the mini fix bolt.



*Attach Minifix Cap as shown.

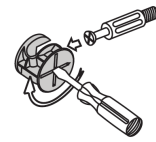


Step 12

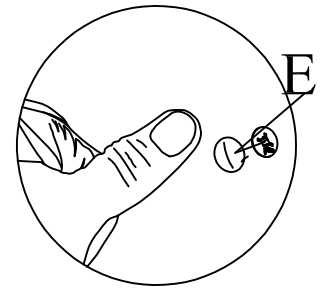
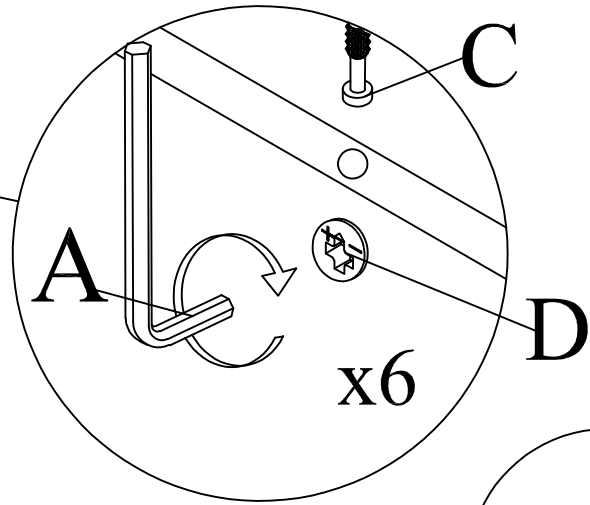
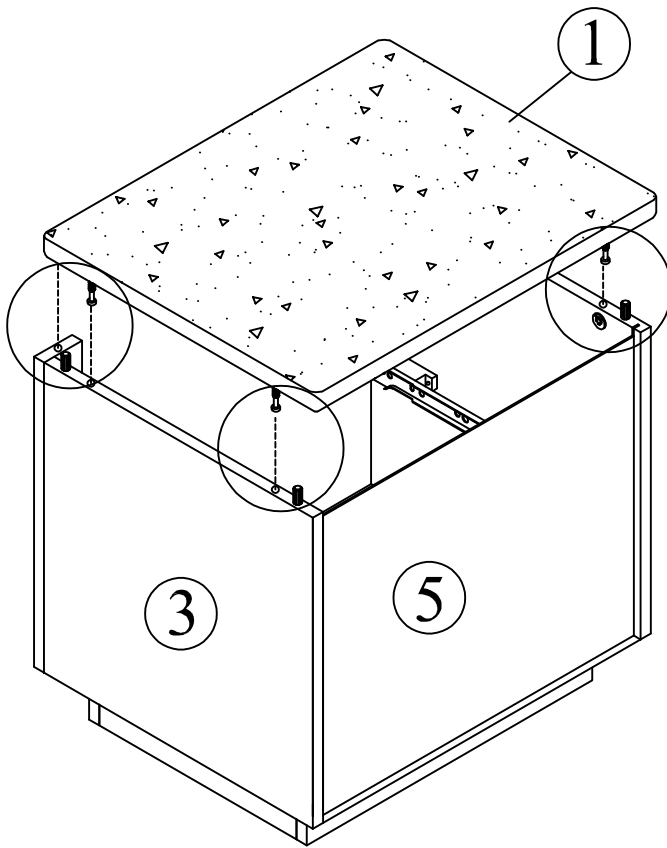


Step 13

This is how a mini fix works...

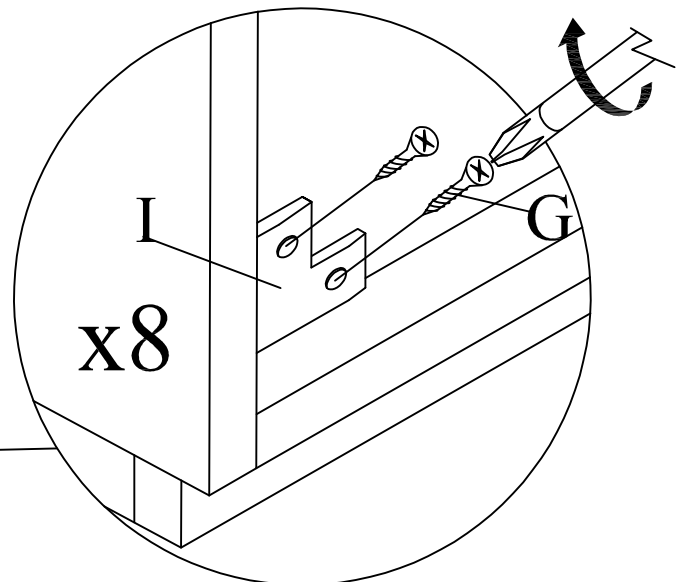
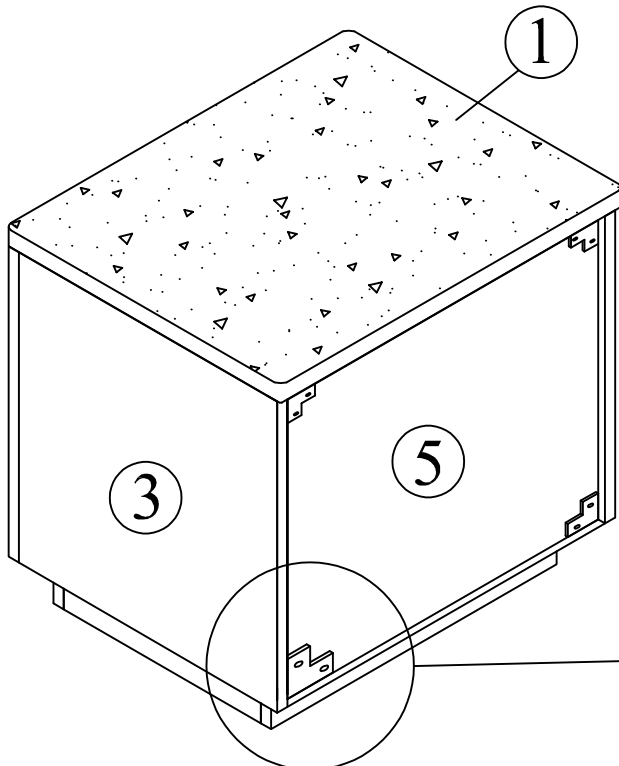


The head of the mini fix housing goes into the open mouth of the mini fix bolt. You then turn the mini fix housing so it tightens over the mini fix bolt.



**Attach Minifix Cap as shown.*

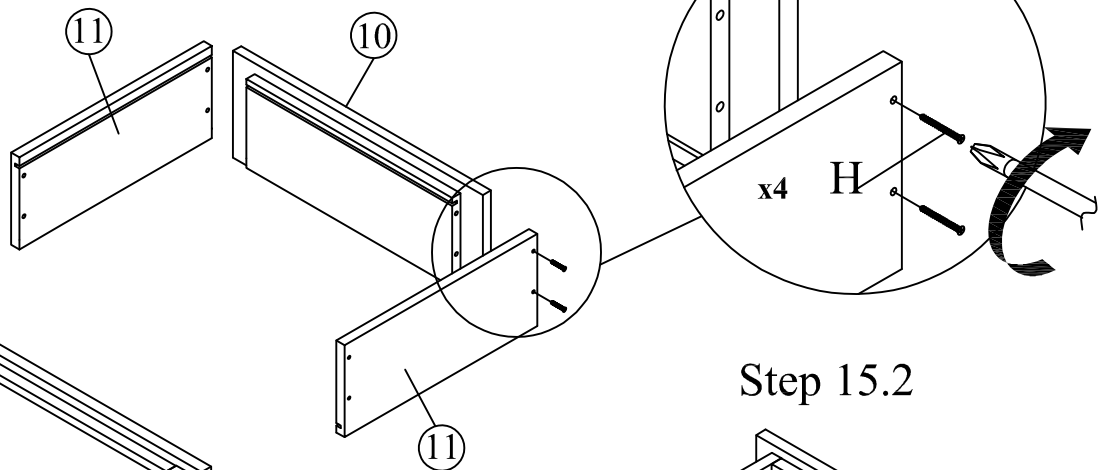
Step 14



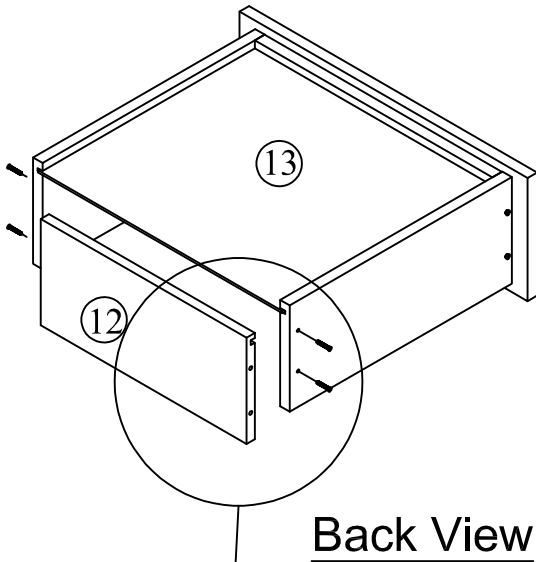
Step 15

x2

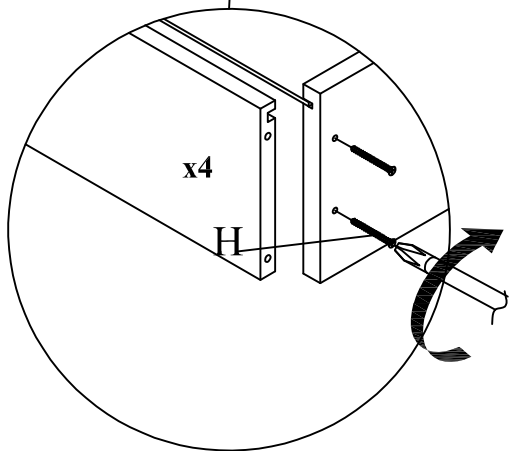
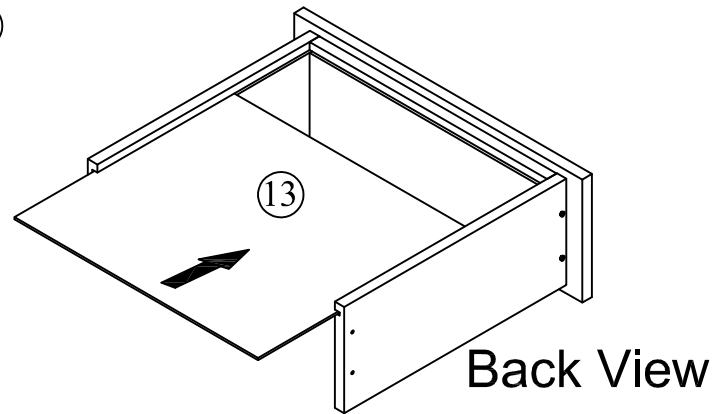
Step 15.1



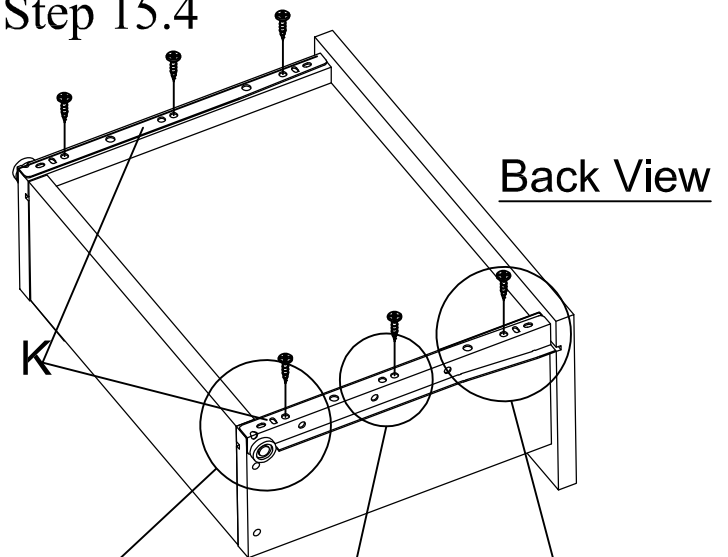
Step 15.3



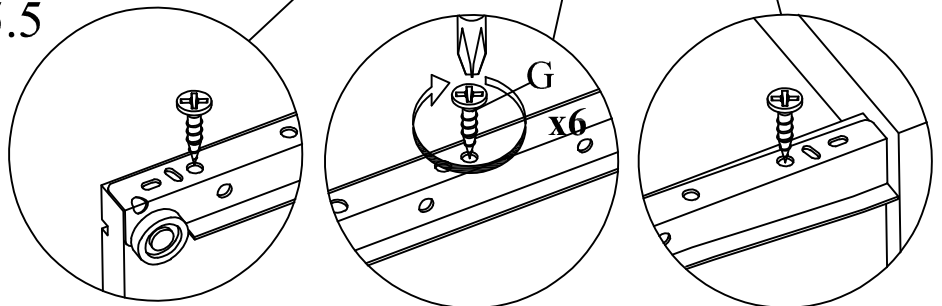
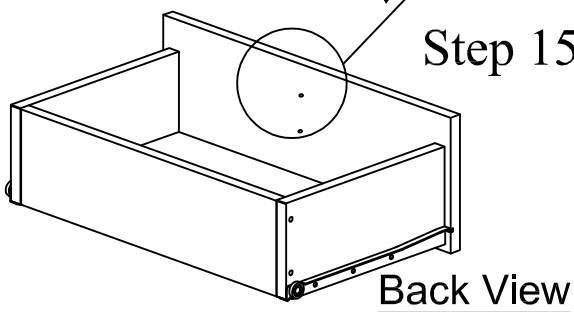
Step 15.2



Step 15.4



Step 15.5



Step 16

