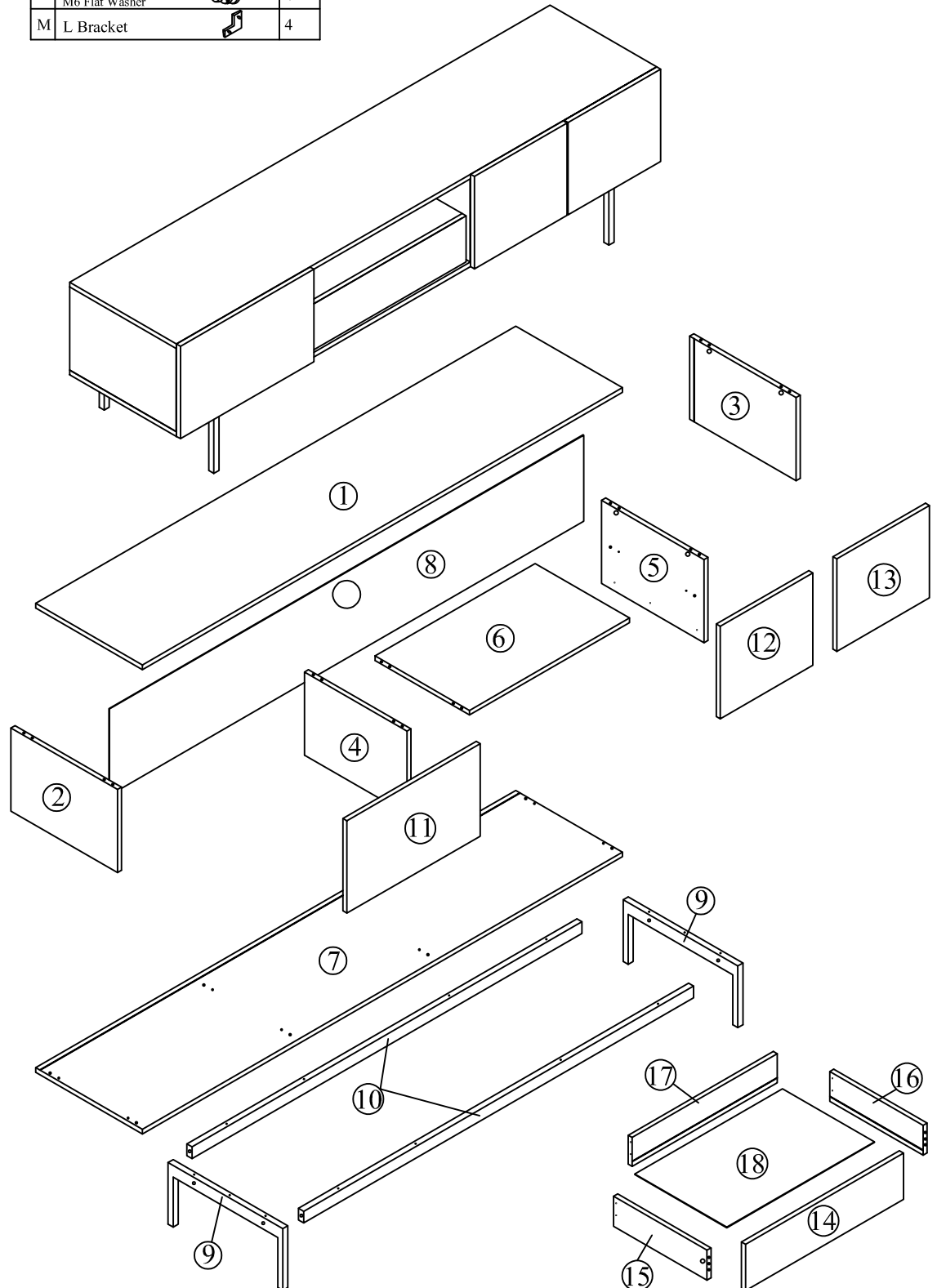


Assembly Instructions

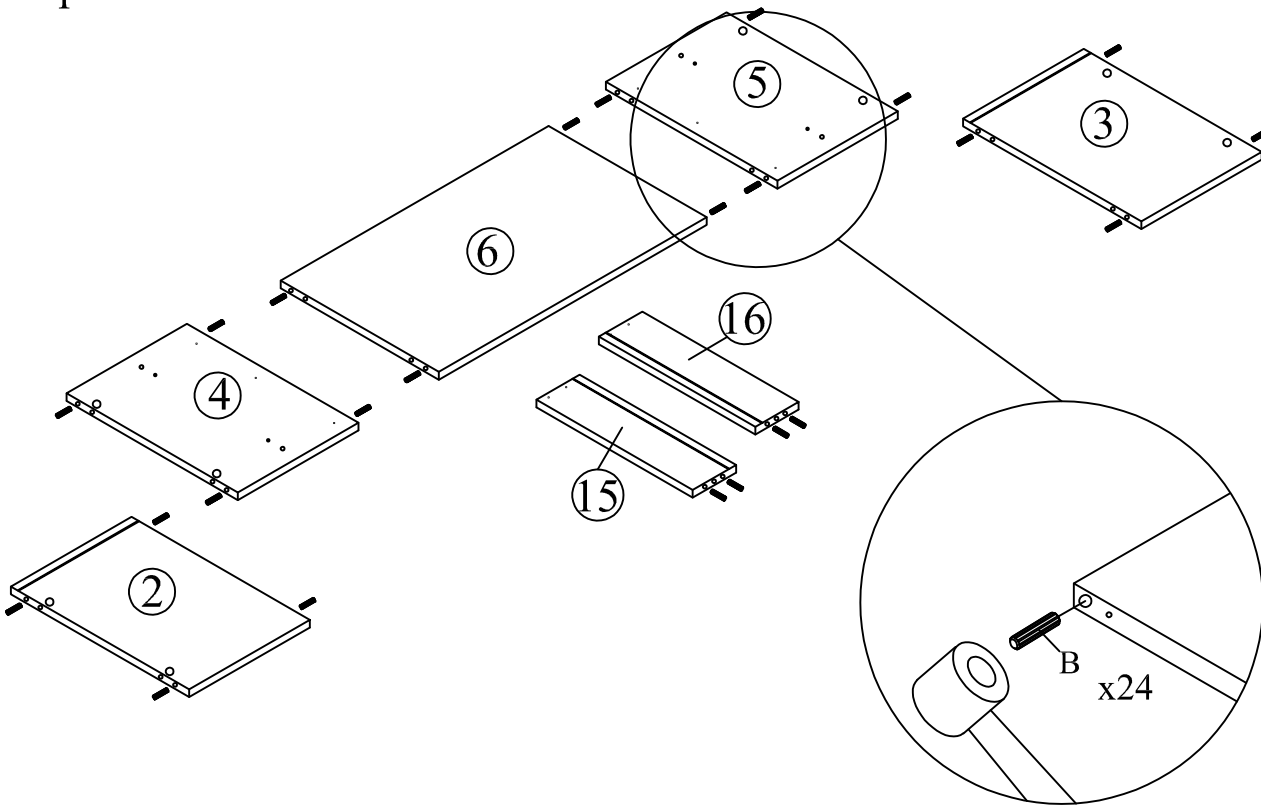
ECOLIFE
MODEL : TV 8034-BONITA SERIES TV CABINET

Part List	QTY
1 Top Panel	1
2 Left Side Panel	1
3 Right Side Panel	1
4 Left Middle Panel	1
5 Right Middle Panel	1
6 Center Panel	1
7 Bottom Panel	1
8 Back Panel	1
9 Metal Legs	2
10 Metal Support Legs	2
11 Left Door Panel	1
12 Small Right Door Panel	1
13 Small Left Door Panel	1
14 Drawer Front Panel	1
15 Drawer Side Panel (L)	1
16 Drawer Side Panel (R)	1
17 Drawer Back Panel	1
18 Drawer Bottom Panel	1

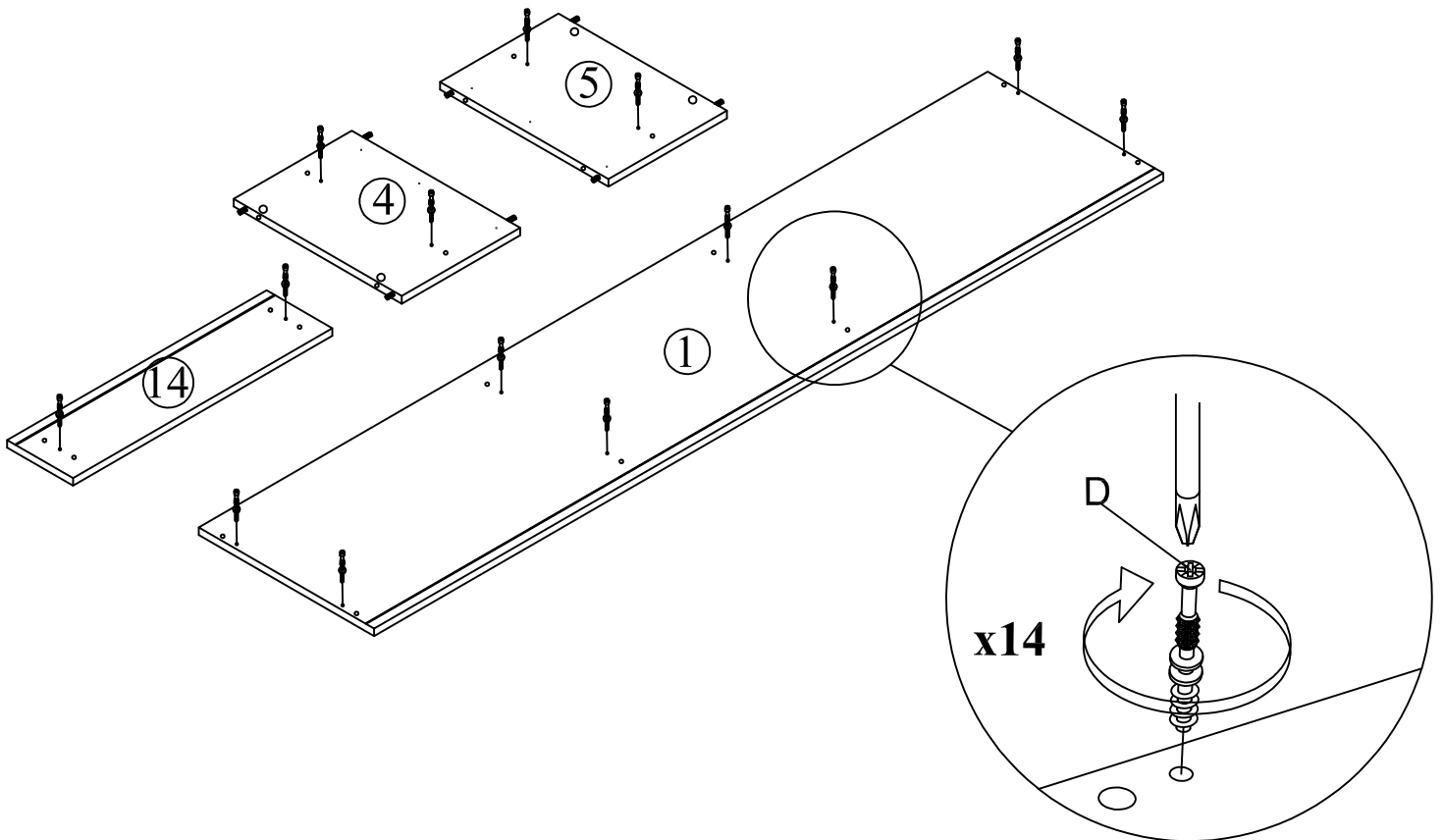
Hardware	QTY
A Allen Key M4	1
B Plastic Dowel	24
C JCBC W Screw M6x40	8
D Mini Fix Bolt	14
E Mini Fix Housing	14
F Mini Fix Cap	14
G 5/8 Hinge	6
H 14" Drawer Slide	1 set
I CSK Screw M4x50mm	18
J CSK Screw M4x20mm Black	4
K CSK Screw M3.5x16mm	56
L JCBC Screw M6x50 + M6 Flat Washer	4
M L Bracket	4



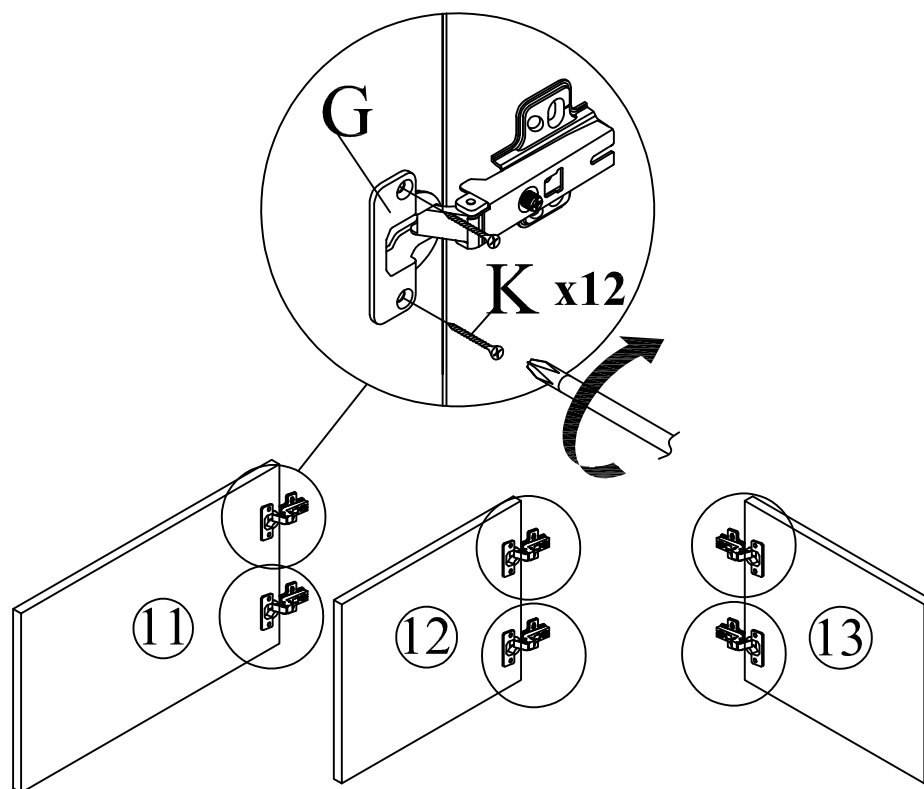
Step 1



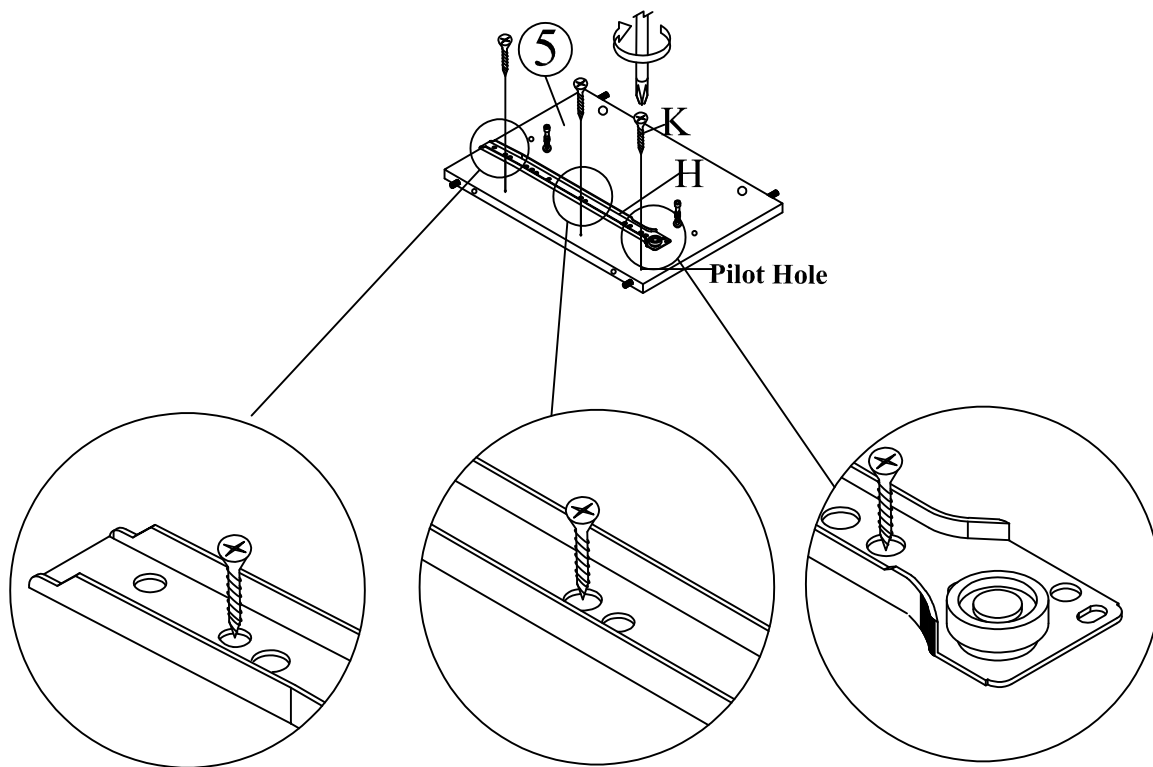
Step 2



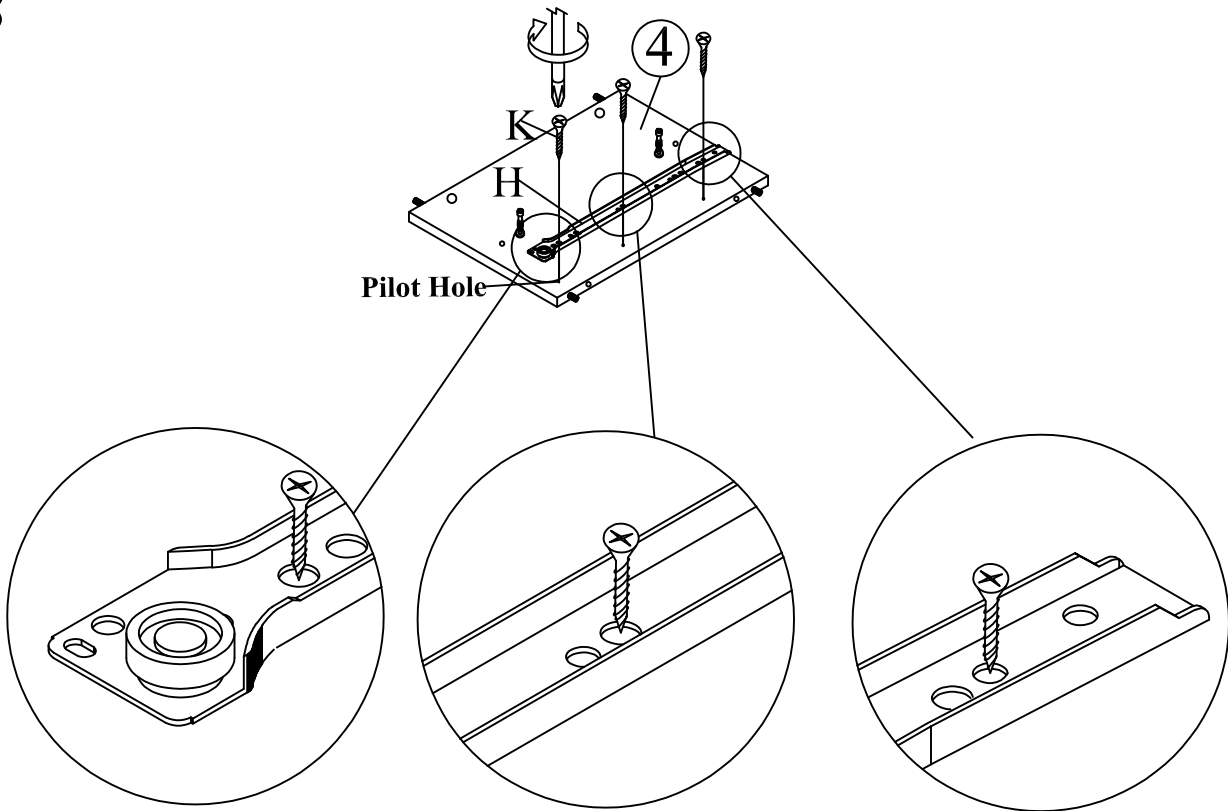
Step 3



Step 4

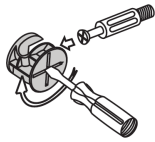


Step 5

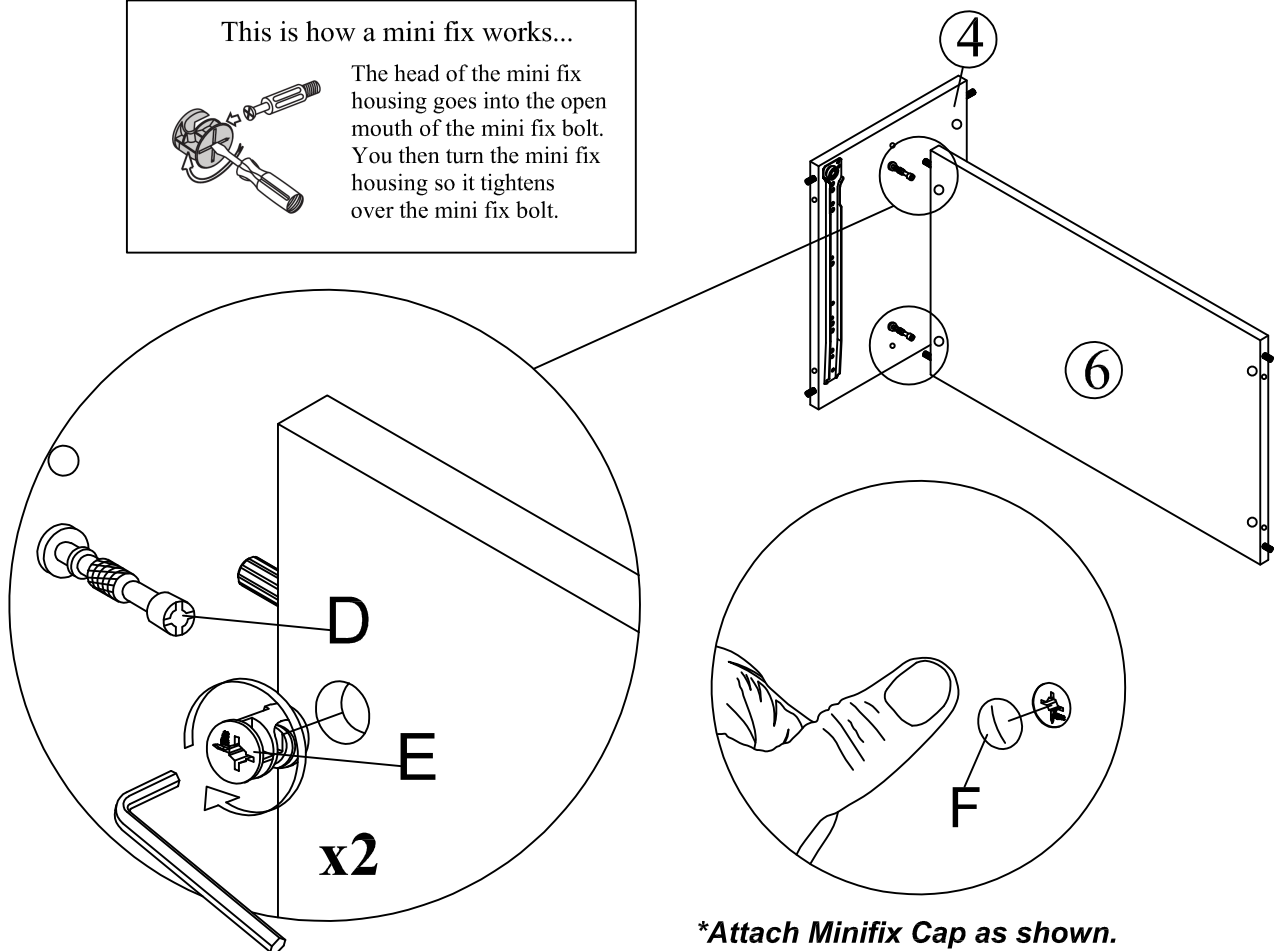


Step 6

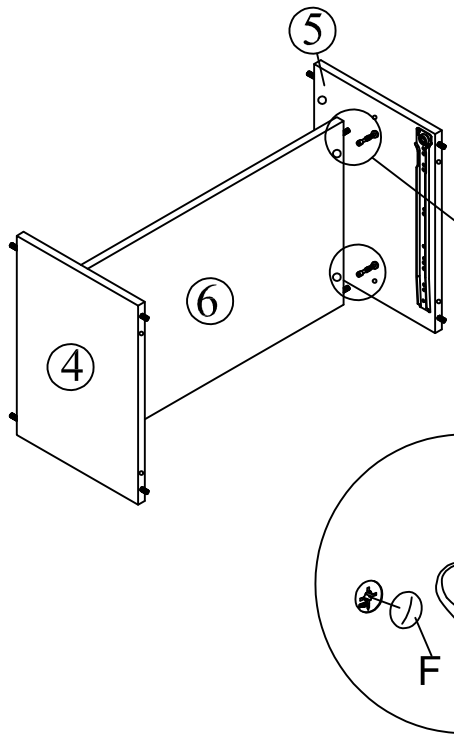
This is how a mini fix works...



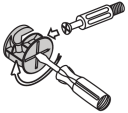
The head of the mini fix housing goes into the open mouth of the mini fix bolt. You then turn the mini fix housing so it tightens over the mini fix bolt.



Step 7



This is how a mini fix works...

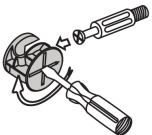


The head of the mini fix housing goes into the open mouth of the mini fix bolt. You then turn the mini fix housing so it tightens over the mini fix bolt.

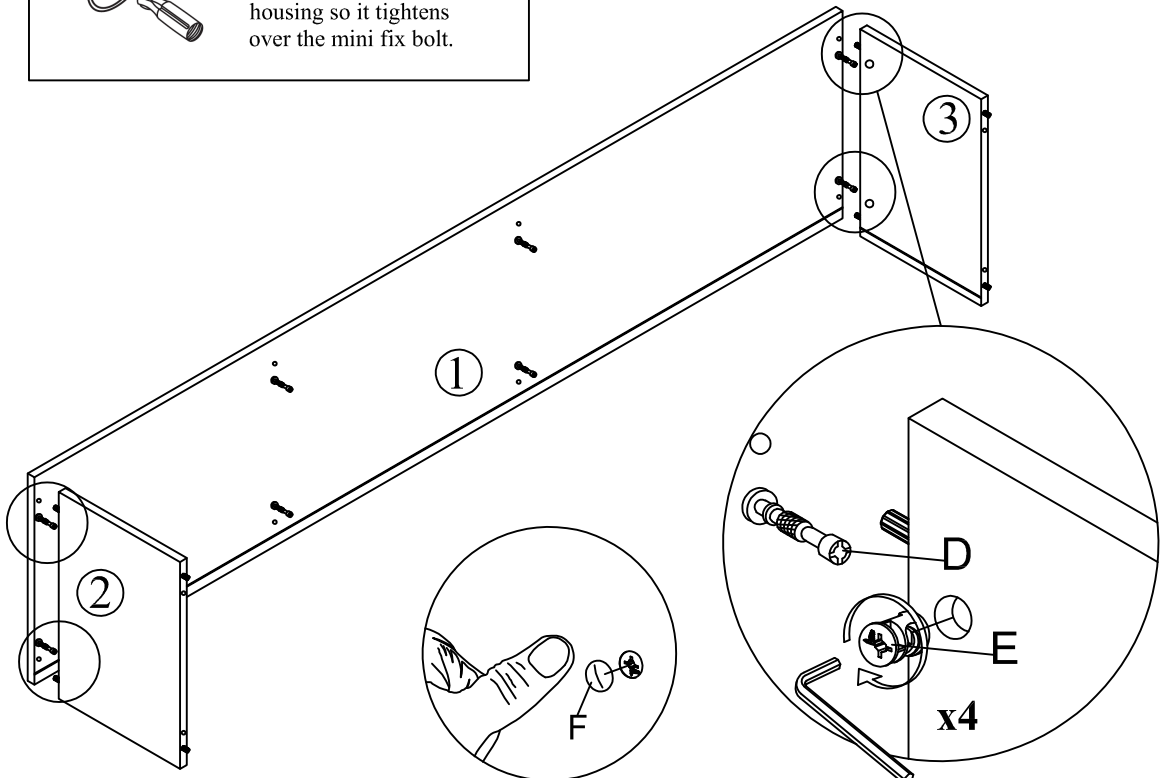
**Attach Minifix Cap as shown.*

Step 8

This is how a mini fix works...

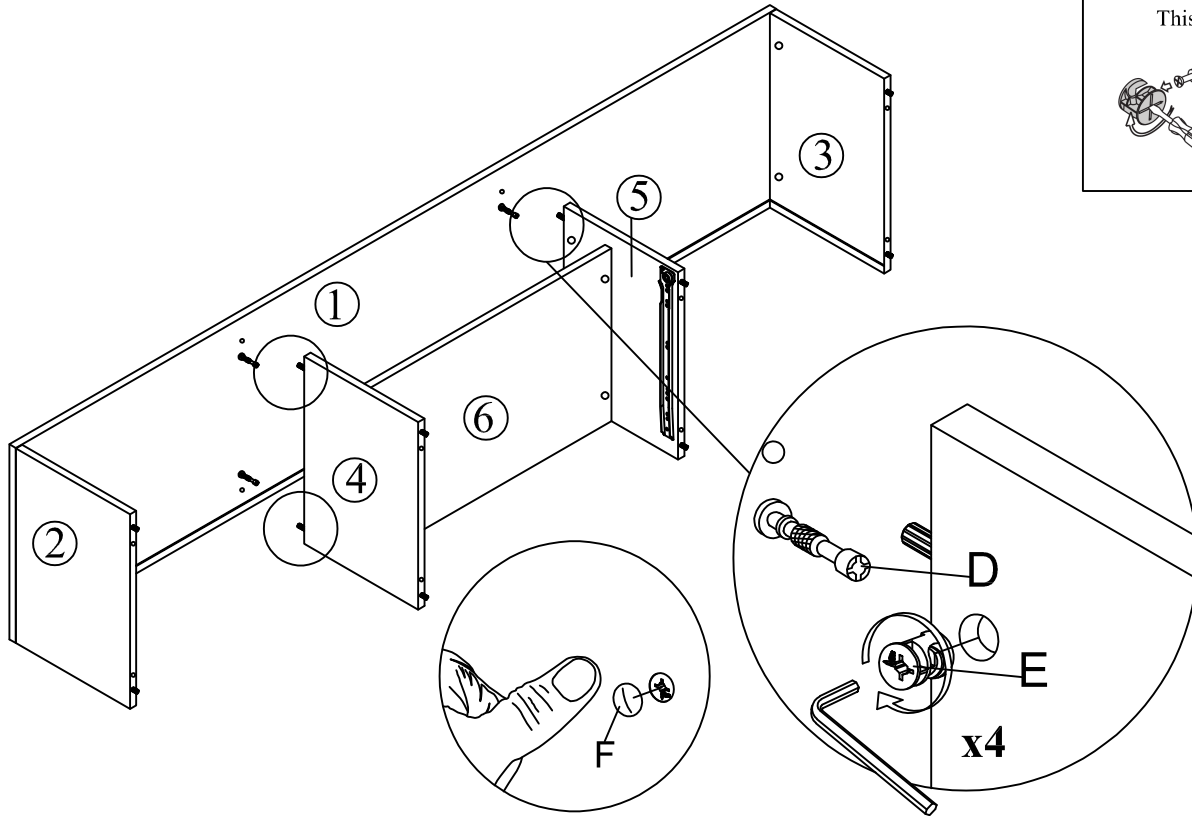


The head of the mini fix housing goes into the open mouth of the mini fix bolt. You then turn the mini fix housing so it tightens over the mini fix bolt.



**Attach Minifix Cap as shown.*

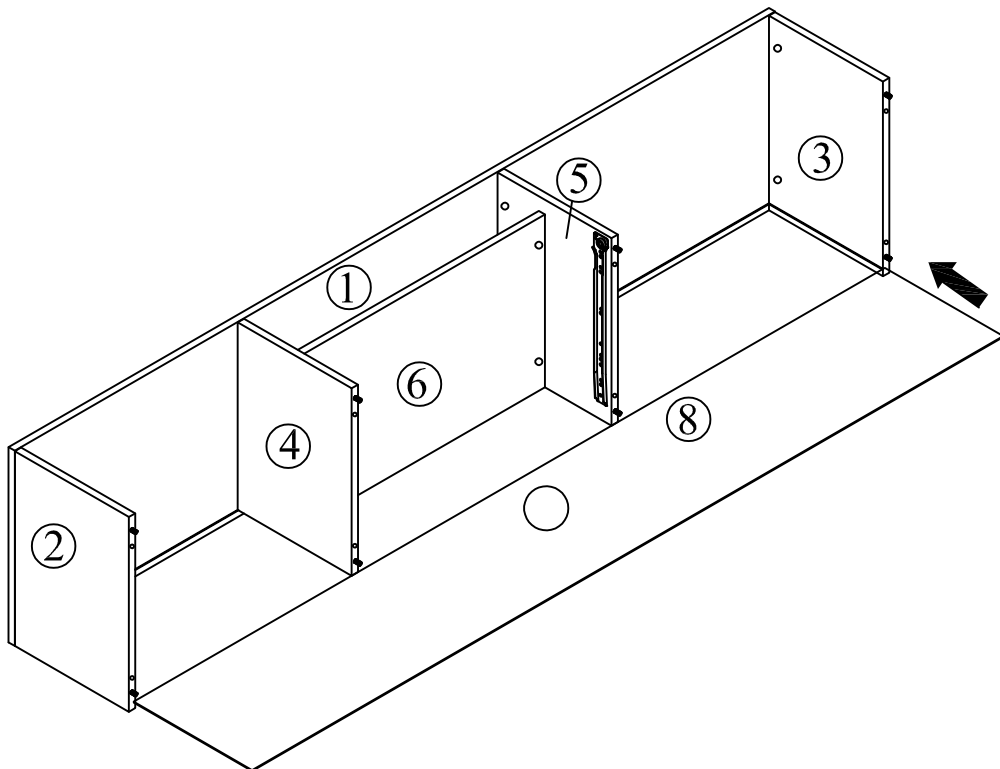
Step 9



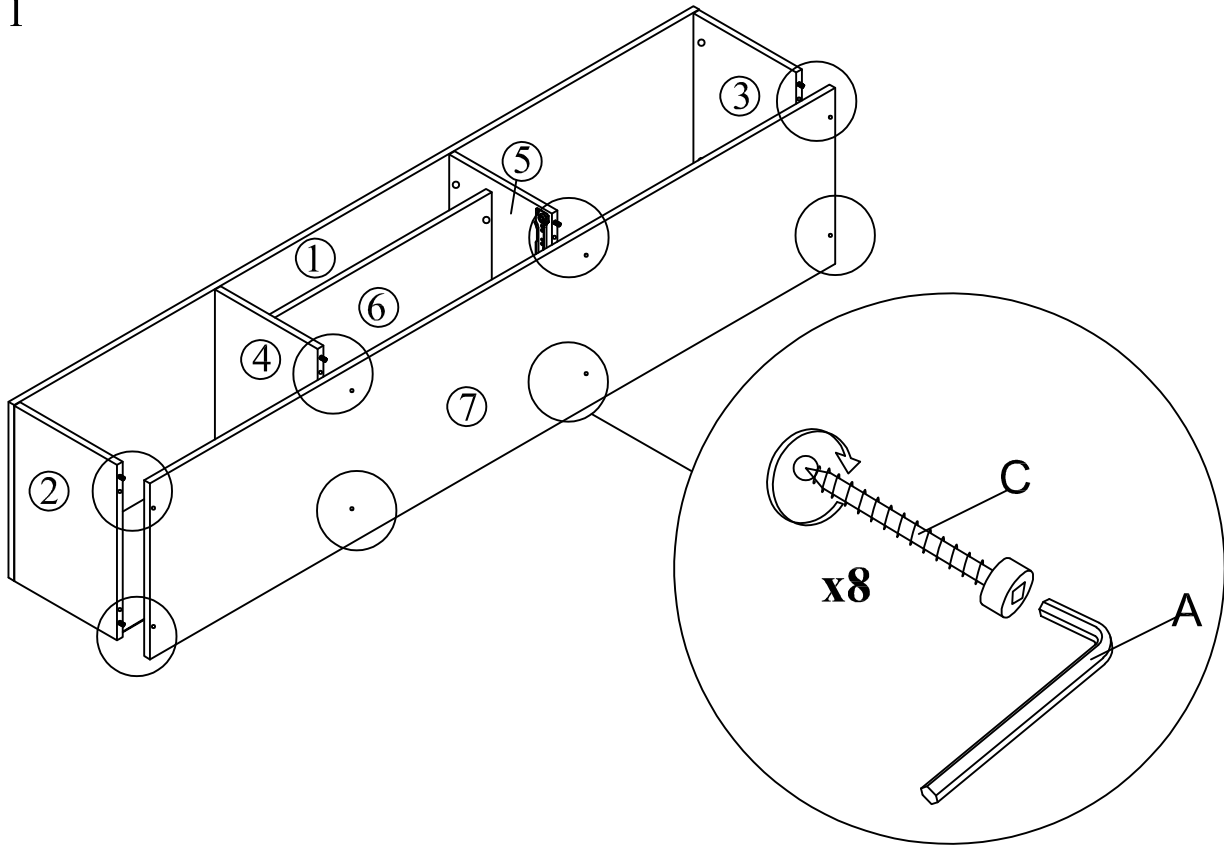
This is how a mini fix works...
The head of the mini fix housing goes into the open mouth of the mini fix bolt. You then turn the mini fix housing so it tightens over the mini fix bolt.

**Attach Minifix Cap as shown.*

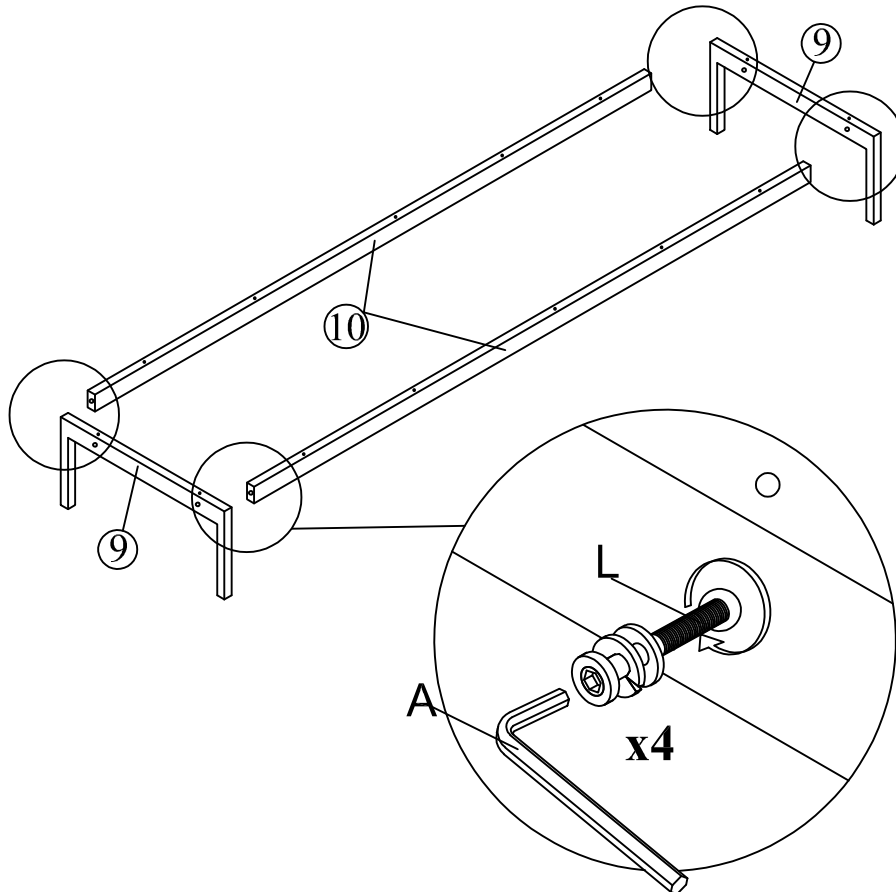
Step 10



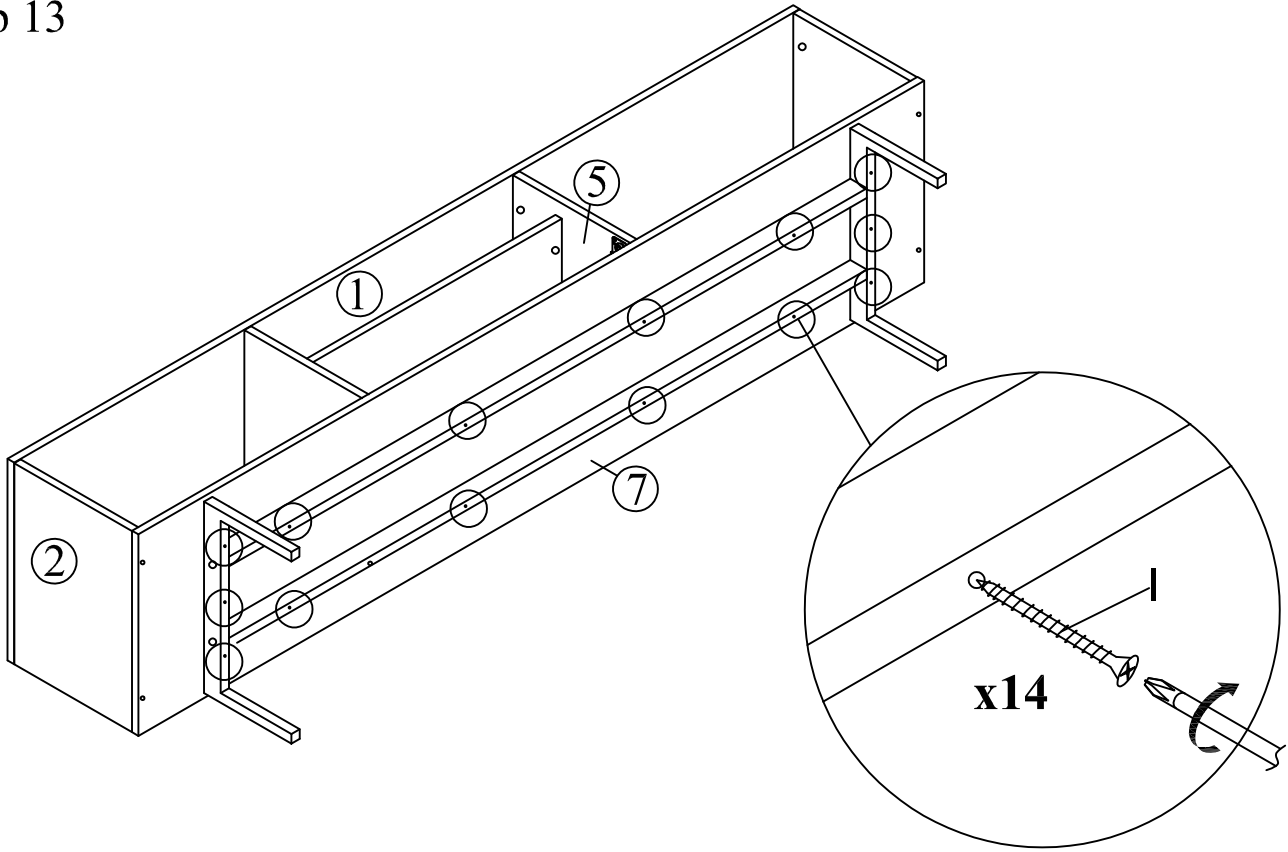
Step 11



Step 12

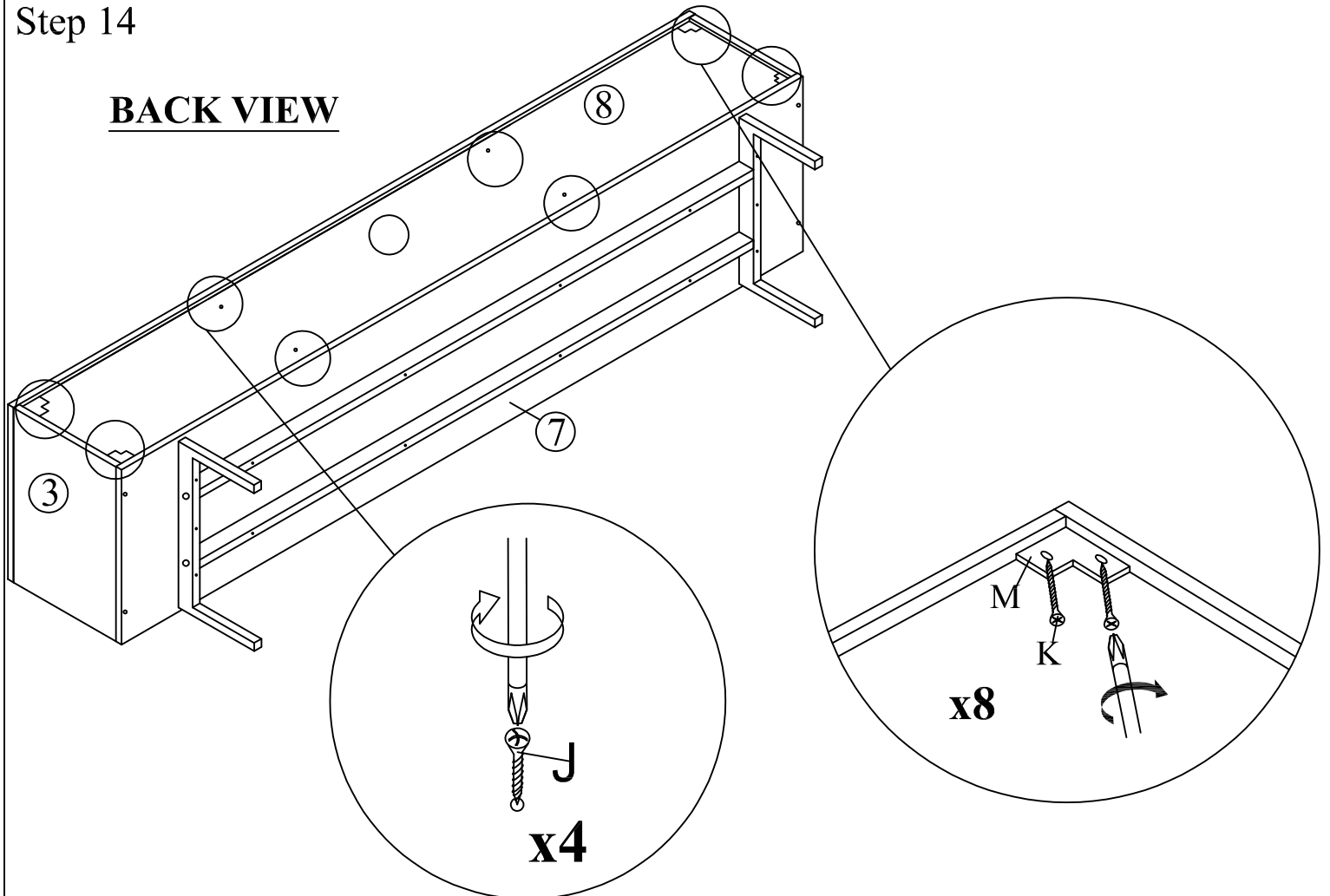


Step 13

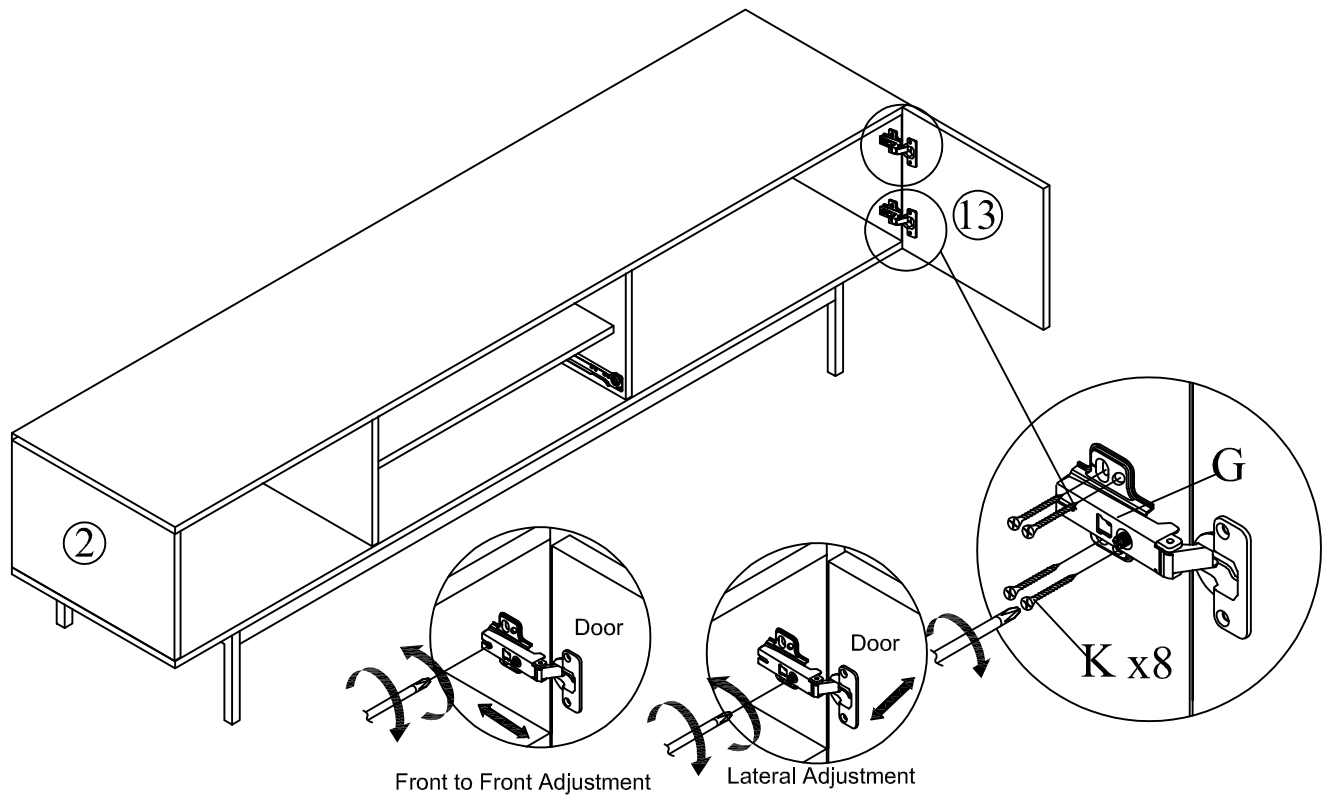


Step 14

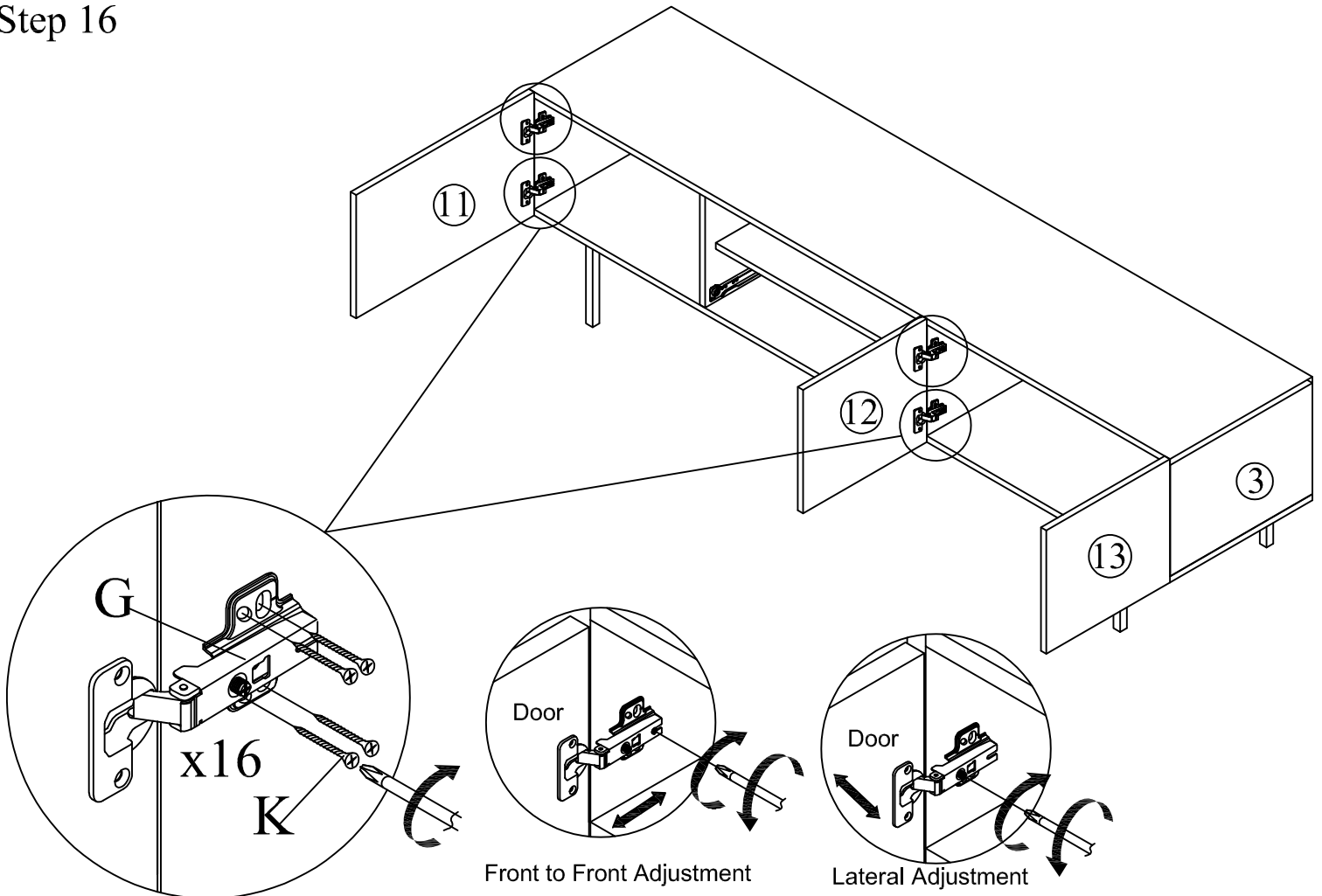
BACK VIEW



Step 15

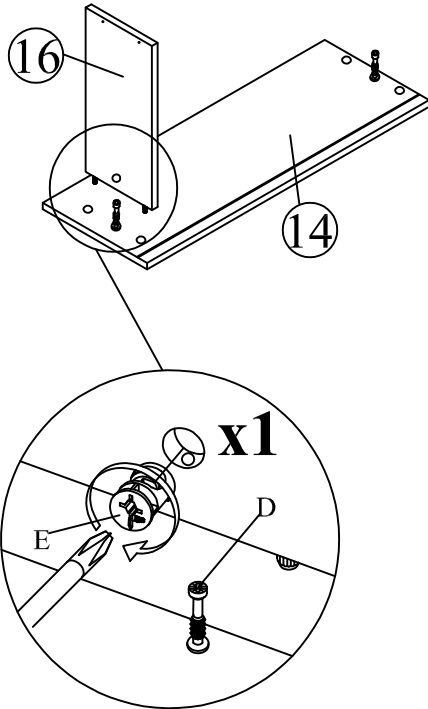


Step 16



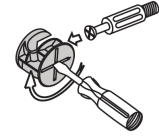
Step 17

Step 17.1

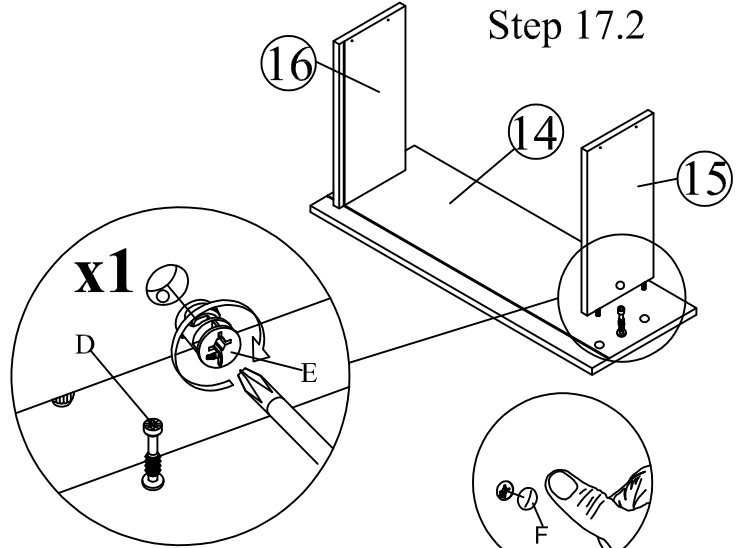


This is how a mini fix works...

The head of the mini fix housing goes into the open mouth of the mini fix bolt. You then turn the mini fix housing so it tightens over the mini fix bolt.



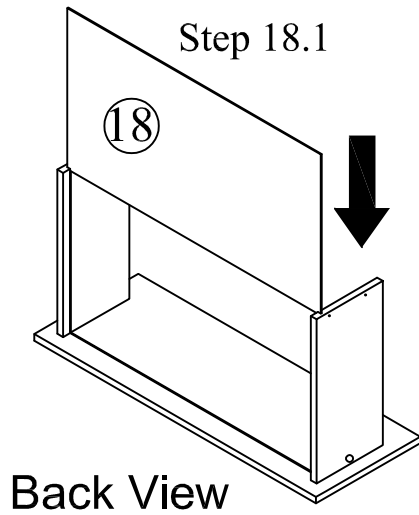
Step 17.2



*Attach Minifix Cap as shown.

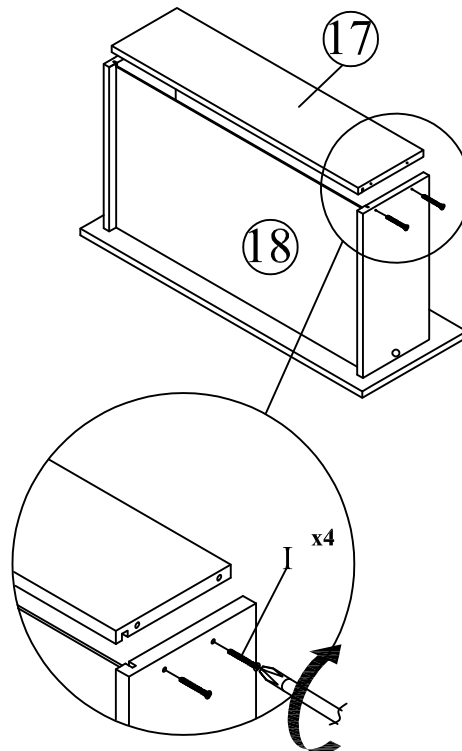
Step 18

Step 18.1

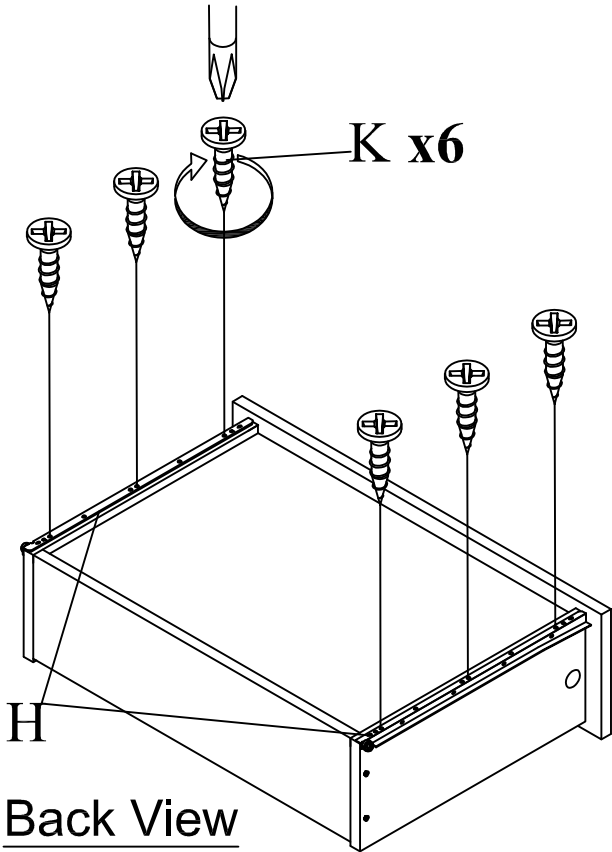


Back View

Step 18.2



Step 19



Step 20

